



SPECIFICATIONS
**PROFESSIONAL
 LINERS**
 INSERT LINERS

Professional Series Insert Liners

• **Dimensions/Power Unit Opening Size**

HL30PIN: Overall width - 28.5"
 Overall depth -24"
 Height - 3.92"
 Opening: 26.75"W x 15.25"D

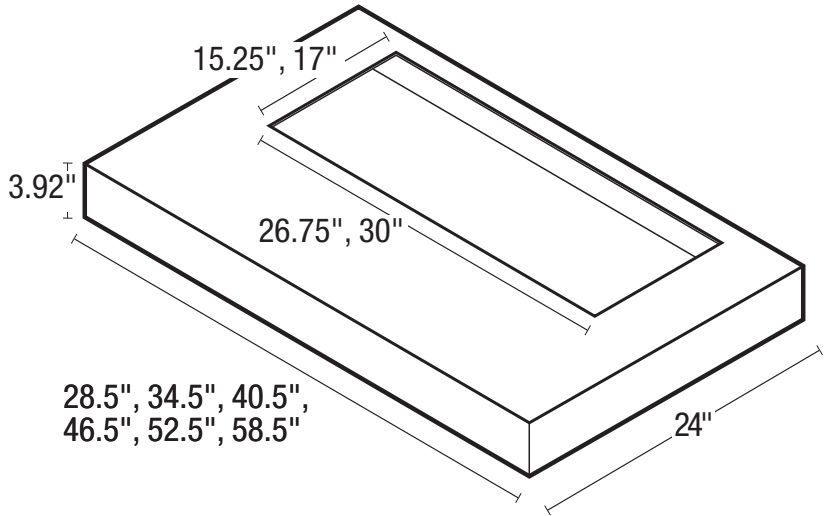
HL36PIN: Overall width - 34.5"
 Overall depth -24"
 Height - 3.92"
 Opening: 30"W x 17"D

HL42PIN: Overall width - 40.5"
 Overall depth -24"
 Height - 3.92"
 Opening: 30"W x 17"D

HL48PIN: Overall width - 46.5"
 Overall depth -24"
 Height - 3.92"
 Opening: 30"W x 17"D

HL54PIN: Overall width - 52.5"
 Overall depth -24"
 Height - 3.92"
 Opening: 30"W x 17"D

HL60PIN: Overall width - 58.5"
 Overall depth -24"
 Height - 3.92"
 Opening: 30"W x 17"D



• **Body**

24 Gauge Stainless Steel

• **Usage**

HL30PIN: PIN28m-300, PIN28m-400, PIN28m-600, PIN28m-900, PIN28m-1200

HL36PIN: PIN300m, PIN400m, PIN600m, PIN900m, PIN1200m

HL42PIN: PIN300m, PIN400m, PIN600m, PIN900m, PIN1200m

HL48PIN: PIN300m, PIN400m, PIN600m, PIN900m, PIN1200m

HL54PIN: PIN300m, PIN400m, PIN600m, PIN900m, PIN1200m

HL60PIN: PIN300m, PIN400m, PIN600m, PIN900m, PIN1200m

PROJECT							ARCHITECT		
LOCATION							ENGINEER		
CONTRACTOR							SUBMITTED BY		DATE
FAN NUMBER	MODEL NUMBER	CFM	IN W.C.	RPM	WATTS	AMPS	SONES	QTY	OPTIONAL EQUIPMENT & REMARKS



Air King: 820 Lincoln Avenue
 West Chester, Pennsylvania 19380-4466
 Tel: (610) 692-7400 • 877-304-3785
 Fax: (610) 696-8048

Canada:
 Brampton, Ontario
 Tel: 905-456-2033
 Fax: (905) 456-1015