



SPECIFICATIONS  
**PINM**  
POWER PACK

	PIN300m: 300 CFM/1.5 Sones @ 0.10" SP.
	PIN500m: 500 CFM/4.5 Sones @ 0.10" SP.
	PIN600m: 600 CFM/5.5 Sones @ 0.10" SP.
	PIN900m: 600 CFM/11.0 Sones @ 0.10" SP.
	PIN1200m: 1200 CFM/15.0 Sones @ 0.10" SP.

• **Dimensions**

Overall bottom projection: 18"  
Height: 12"  
Overall Width: 32"

• **Hood**

Metal body with all exposed areas stainless steel. Approved for installation into covered outdoor kitchen areas.

• **Thermostat**

Thermostat detects when the heat level rises to an excessive amount and automatically turns the hood on.

• **Blower Wheel**

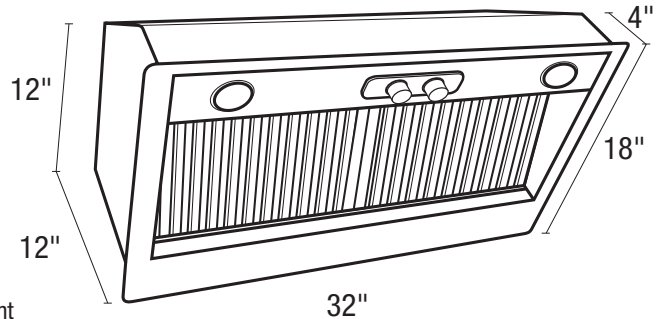
Dual inlet, electronically balanced polymeric centrifugal blower wheel, 57/8" width 59 paddles.

• **Lighting**

2 - PAR16 type A screw-in base, 45 watt maximum  
Halogen lamps (included).

• **Ducting Options**

Vertical outlet only. Vertical or Horizontal ducting transition achieved through vertical or horizontal duct adapter (available separately) specified for size of motor.



• **Cut Out Opening Size**

Width: 30 1/2"  
Depth: 17 1/4"

• **Filters**

Grease Baffles: Dishwasher safe, Stainless Steel baffles (included).

• **Available Finishes**

Stainless Steel

<b>EXPANDED PERFORMANCE</b>										
Air Flow - CFM	Static Pressure (inches of w.g.)					Sones	Fan Speed @ .1 SP	Power RPM	Watts	Amps
	0	0.1	0.25	0.375	0.5					
PIN300m	317	300	267	229	167	-	1.5	760	81	.90
PIN500m	529	500	444	382	278	116	4.5	1206	131	1.10
PIN600m	638	600	537	458	342	143	5.5	1492	164	1.25
PIN900m	918	900	874	852	829	805	11.0	2051	604	5.70
PIN1200m	1222	1200	1168	1142	1117	1090	15.0	2617	945	7.20

<b>PROJECT</b>							<b>ARCHITECT</b>			
<b>LOCATION</b>							<b>ENGINEER</b>			
<b>CONTRACTOR</b>							<b>SUBMITTED BY</b>			<b>DATE</b>
FAN NUMBER	MODEL NUMBER	CFM	IN W.C.	RPM	WATTS	AMPS	SONES	QTY	OPTIONAL EQUIPMENT & REMARKS	



**U.S.:** 820 Lincoln Avenue  
West Chester, Pennsylvania 19380-4466  
Tel: (610) 692-7400 • 877-304-3785  
Fax: (610) 696-8048

**Canada:** 8 Edvac Drive  
Brampton, Ontario L6S 5P2  
Tel: (905) 456-2033 • 800-250-8767  
Fax: (905) 456-1015