



SPECIFICATIONS  
**PRO  
 BLOWER**  
 RANGE HOOD BLOWERS

**B300: 300 CFM/1.5 Sones @ 0.10" SP.**  
**B500: 500 CFM/4.5 Sones @ 0.10" SP.**  
**B600: 600 CFM/5.5 Sones @ 0.10" SP.**  
**B900: 900 CFM/11.0 Sones @ 0.10" SP.**  
**B1125: 1200 CFM/15.0 Sones @ 0.10" SP.**

• **Motor**

- B300** 300 CFM, 1 speed, permanently split capacitor motor. Rated 120 volts, 60 hz.
- B500** 500 CFM, 2 speed, permanently split capacitor motor. Rated 120 volts, 60 hz.
- B600** 600 CFM, 3 speed, permanently split capacitor motor. Rated 120 volts, 60 hz.
- B900** 900 CFM, 3 speed, permanently split capacitor motor. Rated 120 volts, 60 hz.
- B1125** 1200 CFM, 3 speed, permanently split capacitor motor. Rated 120 volts, 60 hz.

• **Blower Wheel**

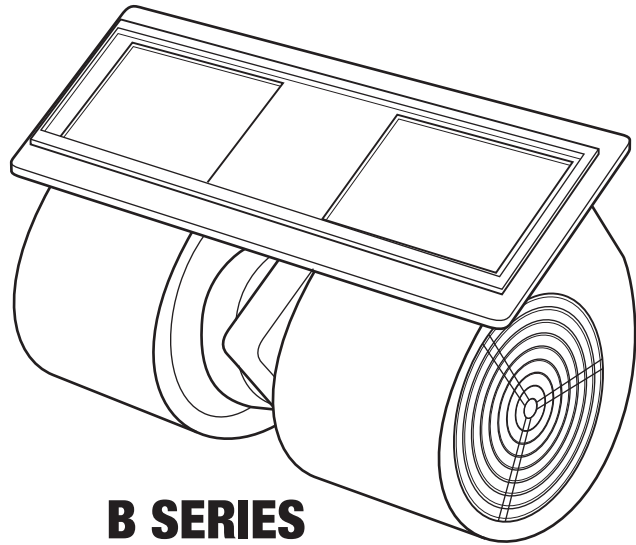
Dual inlet, electronically balanced polymeric centrifugal blower wheel, 5<sup>7</sup>/<sub>8</sub>" width 59 paddles.

• **Blower Mounting**

Easily installs into hood shell through predrilled, threaded and grommeted bolt holes in shell and includes a Snap-In wiring harness for electrical connection.

• **Blower Housing**

Constructed of galvanized steel.



**B SERIES**

**EXPANDED PERFORMANCE**

Air Flow - CFM	Static Pressure (inches of w.g.)						Sones	Fan Speed @ .1 SP	Power RPM	Watts	Amps
	0	0.1	0.25	0.375	0.5	0.625					
<b>B300</b>	317	300	267	229	167	-	1.5	760	81	.90	
<b>B500</b>	529	500	444	382	278	116	4.5	1206	131	1.10	
<b>B600</b>	638	600	537	458	342	143	5.5	1492	164	1.25	
<b>B900</b>	918	900	874	852	829	805	11.0	2051	604	5.70	
<b>B1200</b>	1222	1200	1168	1142	1117	1090	15.0	2617	945	7.20	

<b>PROJECT</b>							<b>ARCHITECT</b>			
<b>LOCATION</b>							<b>ENGINEER</b>			
<b>CONTRACTOR</b>							<b>SUBMITTED BY</b>			<b>DATE</b>
FAN NUMBER	MODEL NUMBER	CFM	IN W.C.	RPM	WATTS	AMPS	SONES	QTY	OPTIONAL EQUIPMENT & REMARKS	



**Air King:** 820 Lincoln Avenue  
 West Chester, Pennsylvania 19380-4466  
 Tel: (610) 692-7400 • 877-304-3785  
 Fax: (610) 696-8048

**Canada:**  
 Brampton, Ontario  
 Tel: 905-456-2033  
 Fax: (905) 456-1015