



SPECIFICATIONS

R120

RELAY

120 Volt Relay

• **Description**

120 volt relay for use with Air King FAS series units. Used for balanced ventilation applications to energize the FAS unit from a 120V signal from another FAS or QFAM unit.

• **Power**

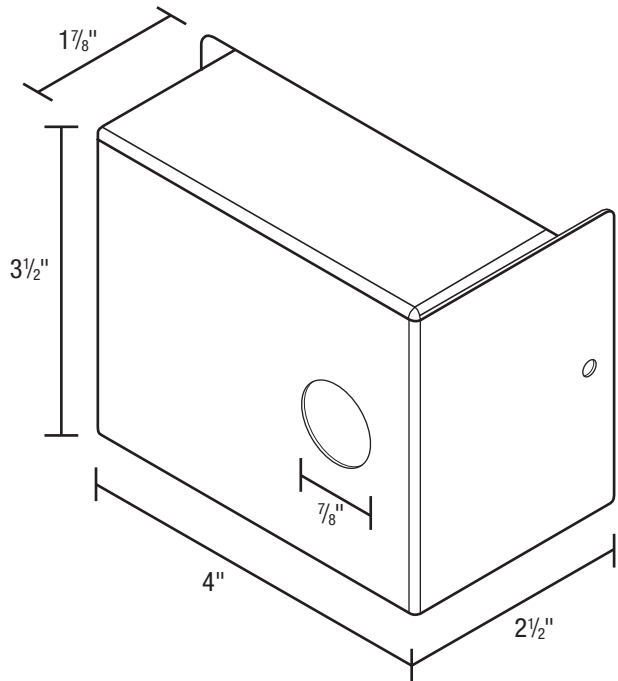
Coil powered by 120V AC, 60 Hz.
Poles - Single, 110V/15 amp.

• **Mounting**

Mounts directly to FAS series models via mounting hole on side of unit. Included mounting hardware is required to secure the relay to the front of the FAS series unit.

• **Connections**

Includes wire harness for direct plug-in connection to FAS unit.



PROJECT							ARCHITECT		
LOCATION							ENGINEER		
CONTRACTOR							SUBMITTED BY		DATE
FAN NUMBER	MODEL NUMBER	CFM	IN W.C.	RPM	WATTS	AMPS	SONES	QTY	OPTIONAL EQUIPMENT & REMARKS

Air King: 820 Lincoln Avenue
West Chester, Pennsylvania 19380-4466
Tel: (610) 692-7400 • 877-304-3785
Fax: (610) 696-8048