

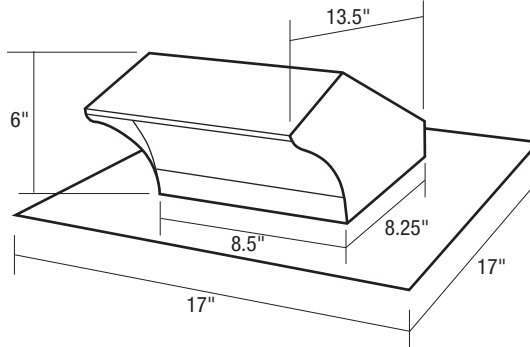


SPECIFICATIONS  
**ROOF CAPS**  
 ACCESSORIES

**ROOF CAPS**

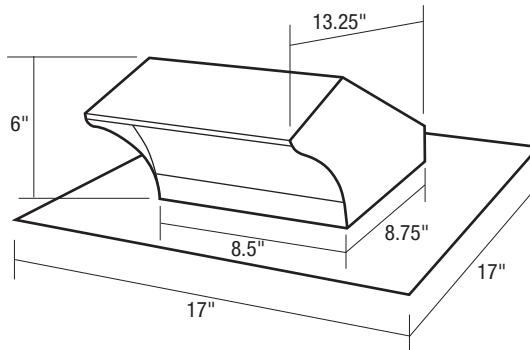
**Model PRC6R**

Fits up to 6" round duct  
 Backdraft damper with bird screen  
 22 gauge galvanized steel construction



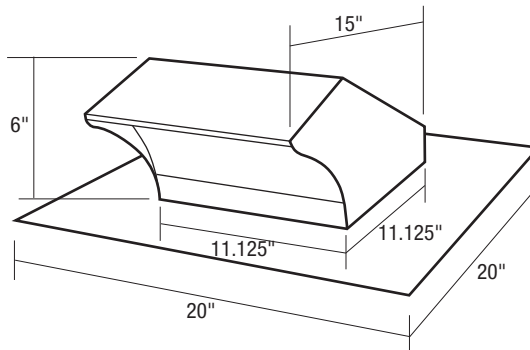
**Model PRC8R**

Fits up to 8" round duct  
 Backdraft damper with bird screen  
 22 gauge galvanized steel construction



**Model PRC10R**

Fits up to 10" round duct  
 Backdraft damper with bird screen  
 22 gauge galvanized steel construction



PROJECT							ARCHITECT		
LOCATION							ENGINEER		
CONTRACTOR							SUBMITTED BY		DATE
FAN NUMBER	MODEL NUMBER	CFM	IN W.C.	RPM	WATTS	AMPS	SONES	QTY	OPTIONAL EQUIPMENT & REMARKS

**Air King:** 820 Lincoln Avenue  
 West Chester, Pennsylvania 19380-4466  
 Tel: (610) 692-7400 • 877-304-3785  
 Fax: (610) 696-8048