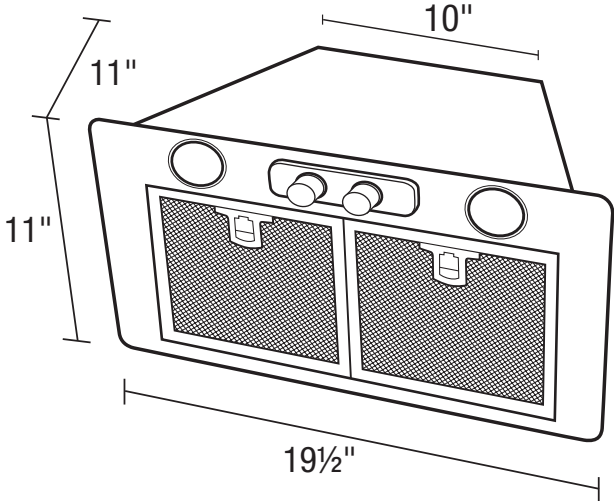




SPECIFICATIONS  
**SEV24S**  
 POWER PACKS

**HVI** 2100  
 CERTIFIED **450 CFM/11.5 Sones @ 0.10" SP.**

Barcelona®  
 Collection



- **Dimensions**  
 Overall bottom projection - 11"  
 Height - 11"  
 Width: 19½"
- **Hood Body**  
 All metal galvanized steel with stainless steel fascia.
- **Motor**  
 3 speed, permanently split capacitor motor. Rated 120 volts, 60 hz.
- **Lighting**  
 Two - GU10 base, MR16, 50 watt halogen lights.
- **Ducting**  
 Vertical ducting: 6" round duct adapter complete with polymeric back draft damper.
- **Blower Wheel**  
 Dual inlet, electronically balanced polymeric centrifugal blower wheel, 5¾" width 59 paddles.
- **Cut Out Opening Size**  
 Width - 18"  
 Depth - 10"
- **Filters**  
 Two - Model SVGF03 aluminum grease filters (included).
- **Available Finishes**  
 Stainless Steel.

EXPANDED PERFORMANCE										
Air Flow - CFM	Static Pressure (inches of w.g.)						Sones @ .1 SP	Fan Speed RPM	Power Watts	Amps
	0	0.1	0.125	0.25	0.375	0.5				
460	450	447	434	422	411	11.5	2750	460.0		

<b>PROJECT</b>							<b>ARCHITECT</b>			
<b>LOCATION</b>							<b>ENGINEER</b>			
<b>CONTRACTOR</b>							<b>SUBMITTED BY</b>			<b>DATE</b>
FAN NUMBER	MODEL NUMBER	CFM	IN W.C.	RPM	WATTS	AMPS	SONES	QTY	OPTIONAL EQUIPMENT & REMARKS	



**Air King:** 820 Lincoln Avenue  
 West Chester, Pennsylvania 19380-4466  
 Tel: (610) 692-7400 • 877-304-3785  
 Fax: (610) 696-8048

Specifications subject to change without notice.

Updated 3-16