



SPECIFICATIONS
SEV28S
 POWER PACKS

HVI 2100
 CERTIFIED **500 CFM/11.5 Sones @ 0.10" SP.**

• **Dimensions**

Overall bottom projection - 11"
 Height - 11"
 Width: 28"

• **Hood Body**

All metal galvanized steel with stainless steel fascia.

• **Motor**

3 speed, permanently split capacitor motor. Rated 120 volts, 60 hz.

• **Lighting**

Two - GU10 base, MR16, 50 watt halogen lights.

• **Ducting Options**

Vertical ducting: 6" round duct adapter complete with aluminum back draft damper.

• **Blower Wheel**

Dual inlet, electronically balanced polymeric centrifugal blower wheel, 5¾" width 59 paddles.

• **Cut Out Opening Size**

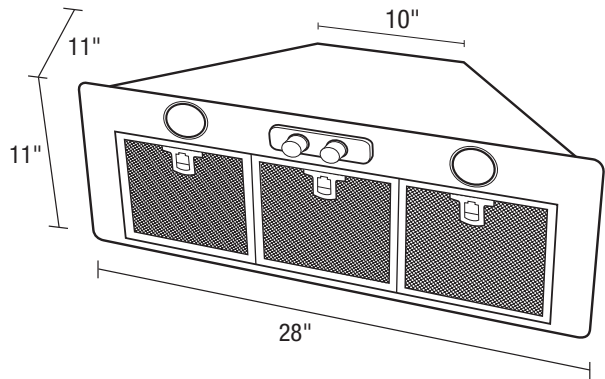
Width 26⅞"
 Depth - 10"

• **Filters**

Model SVGF03 aluminum grease filters (included).

• **Available Finishes**

Stainless Steel.



EXPANDED PERFORMANCE

	Static Pressure (inches of w.g.)						Sones @ .1 SP	Fan Speed RPM	Power Watts	Amps
	0	0.1	0.125	0.25	0.375	0.5				
Air Flow - CFM	510	500	497	485	472	459	11.5	2750	460.0	

PROJECT							ARCHITECT				
LOCATION							ENGINEER				
CONTRACTOR							SUBMITTED BY			DATE	
FAN NUMBER	MODEL NUMBER	CFM	IN W.C.	RPM	WATTS	AMPS	SONES	QTY	OPTIONAL EQUIPMENT & REMARKS		



Air King: 820 Lincoln Avenue
 West Chester, Pennsylvania 19380-4466
 Tel: (610) 692-7400 • 877-304-3785
 Fax: (610) 696-8048

Canada:
 Brampton, Ontario
 Tel: 905-456-2033
 Fax: (905) 456-1015