

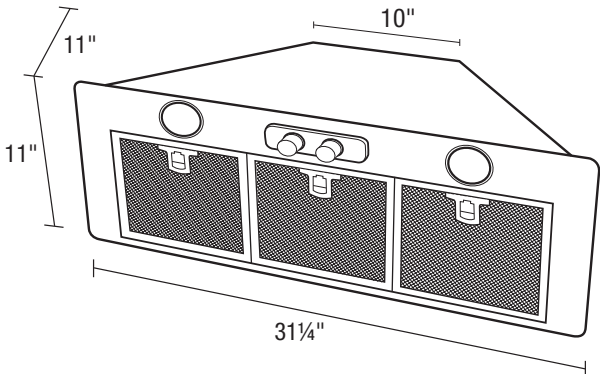


SPECIFICATIONS
SEV30S
 POWER PACKS

HVI 2100 CERTIFIED **500 CFM/11.5 Sones @ 0.10" SP.**

- **Dimensions**
 Overall bottom projection - 11"
 Height - 11"
 Width: 31¼"
- **Hood Body**
 All metal galvanized steel with stainless steel fascia.
- **Motor**
 3 speed, permanently split capacitor motor. Rated 120 volts, 60 hz.
- **Lighting**
 Two - GU10 base, MR16, 50 watt halogen lights.
- **Ducting Options**
 Vertical ducting: 6" round duct adapter complete with polymetric back draft damper.
- **Blower Wheel**
 Dual inlet, electronically balanced polymetric centrifugal blower wheel, 5¾" width 59 paddles.
- **Cut Out Opening Size**
 Width 30"
 Depth - 10"
- **Filters**
 Three - Model SVGF03 grease filters (included).
- **Available Finishes**
 Stainless Steel.

Barcelona®
 Collection



EXPANDED PERFORMANCE

	<i>Static Pressure (inches of w.g.)</i>						<i>Sones @ .1 SP</i>	<i>Fan Speed RPM</i>	<i>Power Watts</i>	<i>Amps</i>
	<i>0</i>	<i>0.1</i>	<i>0.125</i>	<i>0.25</i>	<i>0.375</i>	<i>0.5</i>				
Air Flow - CFM	510	500	497	485	472	459	11.5	2750	460.0	

PROJECT							ARCHITECT			
LOCATION							ENGINEER			
CONTRACTOR							SUBMITTED BY			DATE
FAN NUMBER	MODEL NUMBER	CFM	IN W.C.	RPM	WATTS	AMPS	SONES	QTY	OPTIONAL EQUIPMENT & REMARKS	



Air King: 820 Lincoln Avenue
 West Chester, Pennsylvania 19380-4466
 Tel: (610) 692-7400 • 877-304-3785
 Fax: (610) 696-8048

Specifications subject to change without notice.

Updated 3-16