



SPECIFICATIONS  
**VAL-AB SERIES**  
 WALL MOUNT RANGE HOODS

**HVI 2100 CERTIFIED** High Speed 300 CFM/4.5 Sones @ 0.10" SP.  
 Working Speed 170 CFM/1.3 Sones @ 0.03" SP.

• **Dimensions**

Overall bottom projection - 19<sup>3</sup>/<sub>4</sub>"  
 Height (less chimney) - 9<sup>1</sup>/<sub>4</sub>"  
 Available widths: 30" & 36"

• **Hood Body**

Stainless Steel: 24 gauge, grade 430 stainless steel.  
 Painted: 23 gauge cold rolled commercial grade (CRCQ) steel, auto welded, coated with a baked enamel finish.

• **Motor**

3 speed, permanently split capacitor motor. Rated 120 volts, 60 hz.

• **Lighting**

Two - GU10 base, MR16, 50 watt halogen lights.

• **Ducting Options**

Vertical ducting: 6" round duct adapter complete with back draft damper ensuring quiet operation.  
 Ductless: Requires charcoal filter (not included).

• **Blower Wheel**

Dual inlet, electronically balanced polymeric centrifugal blower wheel, 5<sup>3</sup>/<sub>4</sub>" width 59 paddles.

• **Mounting**

Wall mounted. Install 24" to 36" from cooking surface.

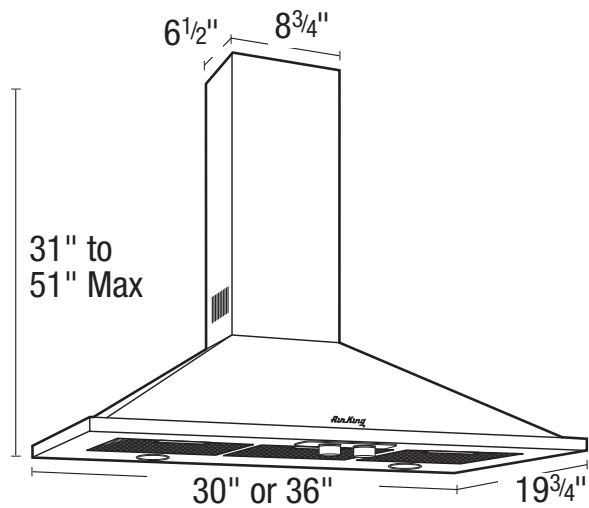
• **Filters**

Grease Filter: BCGF-01 (included).  
 Charcoal Filter: BCCF-02 (not included).

• **Available Finishes**

Stainless Steel, White, and Black

Barcelona<sup>®</sup>  
Collection



**EXPANDED PERFORMANCE**

	Static Pressure (inches of w.g.)						Sones @ .1 SP	Fan Speed RPM	Maximum Fan Watts	Full Load Amps
	0	0.1	0.25	0.375	0.5	0.625				
<b>Air Flow - CFM</b>	314	300	275	247	202	132	4.5	1282	96.0	1.8

<b>PROJECT</b>					<b>ARCHITECT</b>				
<b>LOCATION</b>					<b>ENGINEER</b>				
<b>CONTRACTOR</b>					<b>SUBMITTED BY</b>			<b>DATE</b>	
FAN NUMBER	MODEL NUMBER	CFM	IN W.C.	RPM	WATTS	AMPS	SONES	QTY	OPTIONAL EQUIPMENT & REMARKS



**Air King:** 820 Lincoln Avenue  
 West Chester, Pennsylvania 19380-4466  
 Tel: (610) 692-7400 • 877-304-3785  
 Fax: (610) 696-8048