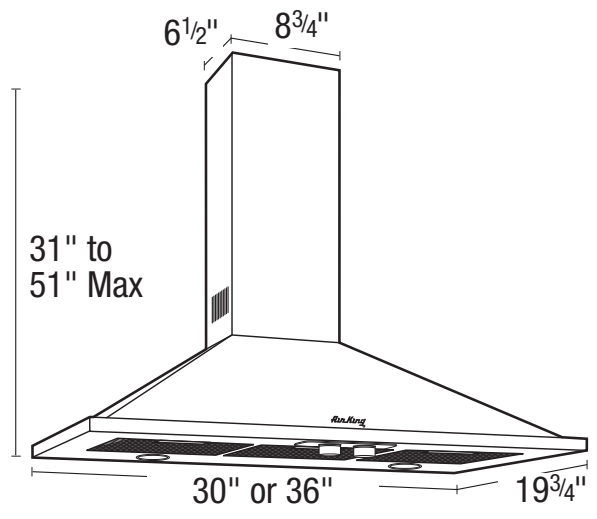




SPECIFICATIONS
VALENCIA™
 WALL MOUNT RANGE HOODS

HVI 2100
 CERTIFIED **500 CFM/11.0 SONES @ 0.10" SP.**

Barcelona®
 Collection



- **Dimensions**
 Overall bottom projection - 19³/₄"
 Height (less chimney) - 9¹/₄"
 Available widths: 30" & 36"
- **Hood Body**
 Stainless Steel: 24 gauge, grade 430 stainless steel.
 Painted: 24 gauge cold rolled commercial grade (CRCQ) steel, auto welded, coated with a baked enamel finish.
- **Motor**
 3 speed, permanently split capacitor motor. Rated 120 volts, 60 hz.
- **Lighting**
 Two - GU10 base, MR16, 50 watt halogen lights.
- **Ducting Options**
 Vertical ducting: 6" round duct adapter complete with back draft damper ensuring quiet operation.
 Ductless: Requires charcoal filter (not included).
- **Blower Wheel**
 Dual inlet, electronically balanced polymeric centrifugal blower wheel, 5³/₄" width 59 paddles.
- **Mounting**
 Wall mounted. Install 24" to 36" from cooking surface.
- **Filters**
 Grease Filter: BCGF-01 (included).
 Charcoal Filter: BCCF-02 (not included).
- **Available Finishes**
 Stainless Steel, White, and Black

EXPANDED PERFORMANCE

	Static Pressure (inches of w.g.)						Sones @ .1 SP	Fan Speed RPM	Fan Watts	Full Load Amps
	0	0.1	0.125	0.25	0.375	0.5				
Air Flow - CFM	508	500	498	488	477	465	11.0	2500	450.0	3.8

PROJECT				ARCHITECT					
LOCATION				ENGINEER					
CONTRACTOR				SUBMITTED BY			DATE		
FAN NUMBER	MODEL NUMBER	CFM	IN W.C.	RPM	WATTS	AMPS	SONES	QTY	OPTIONAL EQUIPMENT & REMARKS



Air King: 820 Lincoln Avenue
 West Chester, Pennsylvania 19380-4466
 Tel: (610) 692-7400 • 877-304-3785
 Fax: (610) 696-8048

Canada:
 Brampton, Ontario
 Tel: 905-456-2033
 Fax: (905) 456-1015