



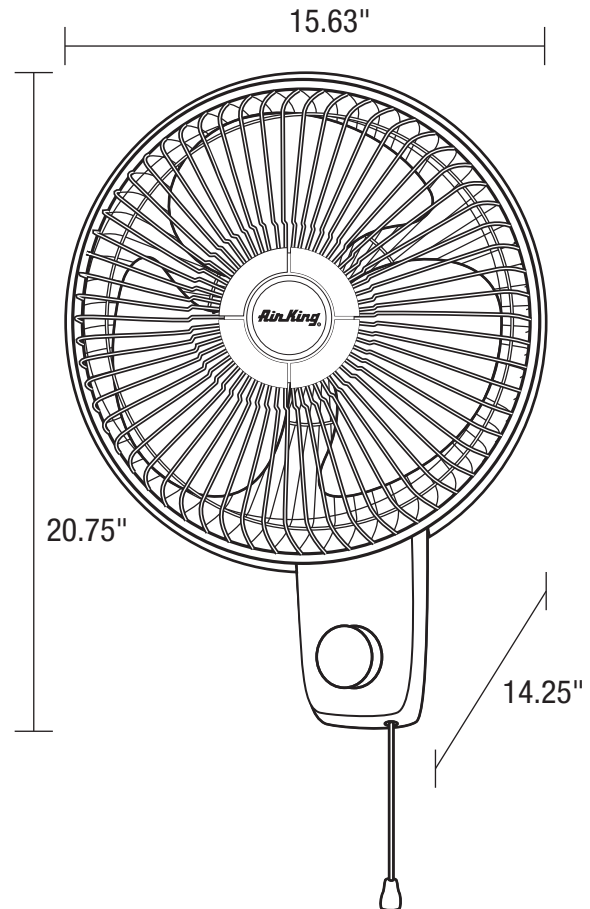
SPECIFICATIONS

9012

COMMERCIAL FANS

**12" Oscillating Wall Mount Fan
120 Volts, 60 hz.**

- **Grilles/Guards**
Powder coated steel front grill with impact resistant plastic rear grill
- **Motor**
3-speed, 1/50 HP, 120V, 1 phase, permanently lubricated, permanent split capacitor
- **Fan Blade**
Chemical resistant polypropylene blade
- **Cord**
White, 6', 3-conductor, SPT type
- **Switch**
Front mounted rotary and pull cord switch
- **Oscillation**
90° or can be locked in non-oscillating position
- **Product Dimensions**
15.63"L x 14.25"W x 20.75"H
- **Shipping Information**
UPC: 0-46013-33260-8
Shipping Weight: 6.94 lbs.



MODEL	CFM			RPM			AMPS			WATTS			DB A		
	HIGH	MED	LOW	HIGH	MED	LOW	HIGH	MED	LOW	HIGH	MED	LOW	HIGH	MED	LOW
9012	940	800	700	1470	1320	1100	.46	.37	.32	51	44	39	45	41	36



U.S.: 820 Lincoln Drive
West Chester, Pennsylvania 19380-4466
Tel: (610) 692-7400 • 877-304-3785
Fax: (610) 696-8048