



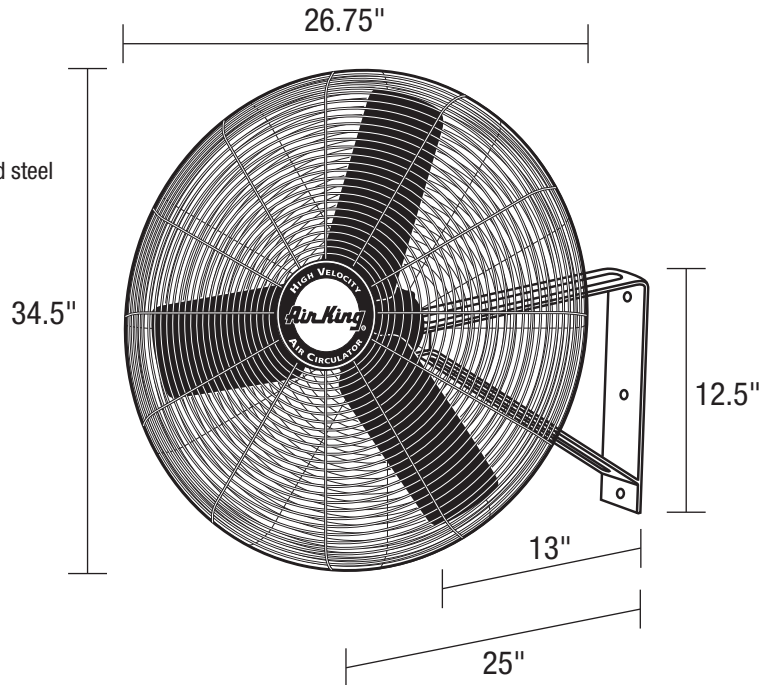
SPECIFICATIONS

**9024**

INDUSTRIAL FANS

**24" Wall Mount Fan**

- Motor**  
3-speed, 1/4 HP, 120V, 1 phase, totally enclosed, ball bearing, permanently lubricated, permanent split capacitor
- Controls**  
Rear mounted pull cord switch
- Power Cord**  
Black, 10', 3-conductor, S type
- Coating**  
Blade, Guard, and Mounts are powder coated steel
- Compliance**  
ETL, OSHA
- Product Dimensions**  
26.75"L x 25"W x 34.5"H
- Shipping Information**  
UPC: 0-46013-39480-4  
Shipping Weight: 38.4 lbs.



MODEL	CFM			RPM			AMPS			WATTS			DB A		
	HIGH	MED	LOW	HIGH	MED	LOW	HIGH	MED	LOW	HIGH	MED	LOW	HIGH	MED	LOW
9024	5130	4490	3670	1060	925	745	2.4	1.9	1.5	252	199	157	72	69	64



U.S.: 820 Lincoln Drive  
West Chester, Pennsylvania 19380-4466  
Tel: (610) 692-7400 • 877-304-3785  
Fax: (610) 696-8048