



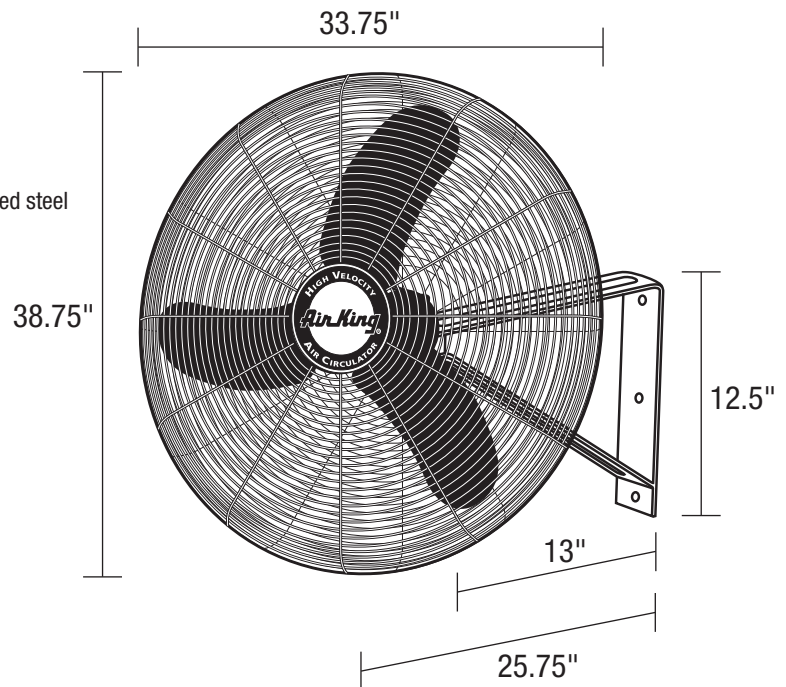
SPECIFICATIONS

**9070**

INDUSTRIAL FANS

**30" Wall Mount Fan**

- **Motor**  
3-speed, 1/3 HP, 120V, 1 phase, totally enclosed, ball bearing, permanently lubricated, permanent split capacitor
- **Controls**  
Rear mounted pull cord switch
- **Power Cord**  
Black, 10', 3-conductor, S type
- **Coating**  
Blade, Gaurd, and Mounts are powder coated steel
- **Compliance**  
ETL, OSHA
- **Product Dimensions**  
33.75"L x 25.75"W x 38.75"H
- **Shipping Information**  
UPC: 0-46013-38940-4  
Shipping Weight: 44.9 lbs.



| MODEL | CFM  |      |      | RPM  |     |     | AMPS |     |     | WATTS |     |     | DB A |     |     |
|-------|------|------|------|------|-----|-----|------|-----|-----|-------|-----|-----|------|-----|-----|
|       | HIGH | MED  | LOW  | HIGH | MED | LOW | HIGH | MED | LOW | HIGH  | MED | LOW | HIGH | MED | LOW |
| 9070  | 8780 | 7480 | 5570 | 1075 | 925 | 800 | 2.8  | 2.0 | 1.7 | 308   | 205 | 170 | 72   | 70  | 64  |



**U.S.:** 820 Lincoln Drive  
West Chester, Pennsylvania 19380-4466  
Tel: (610) 692-7400 • 877-304-3785  
Fax: (610) 696-8048