



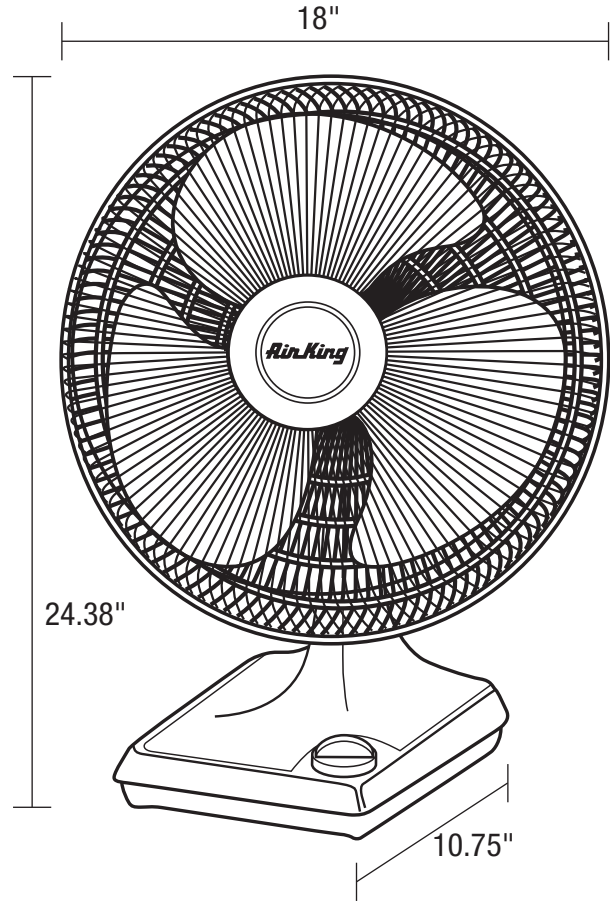
SPECIFICATIONS

9106

COMMERCIAL FANS

16" Oscillating Table Fan
120 Volts, 60 hz.

- **Grilles/Guards**
 Powder coated steel front grill with impact resistant plastic rear grill
- **Motor**
 3-speed, 1/20 HP, 120V, 1 phase, permanently lubricated, permanent split capacitor
- **Fan Blade**
 Chemical resistant polypropylene blade
- **Cord**
 White, 6', 3-conductor, SPT type
- **Switch**
 Front mounted rotary switch
- **Oscillation**
 90° or can be locked in non-oscillating position
- **Product Dimensions**
 11.63"L x 14.25"W x 20.25"H
- **Shipping Information**
 UPC: 0-46013-38120-0
 Shipping Weight: 9.2 lbs.



MODEL	CFM			RPM			AMPS			WATTS			DB A		
	HIGH	MED	LOW	HIGH	MED	LOW	HIGH	MED	LOW	HIGH	MED	LOW	HIGH	MED	LOW
9106	1710	1500	1330	1545	1394	1244	0.71	0.54	0.48	77	65	57	53	49	44



U.S.: 820 Lincoln Drive
 West Chester, Pennsylvania 19380-4466
 Tel: (610) 692-7400 • 877-304-3785
 Fax: (610) 696-8048

www.airkinglimited.com