



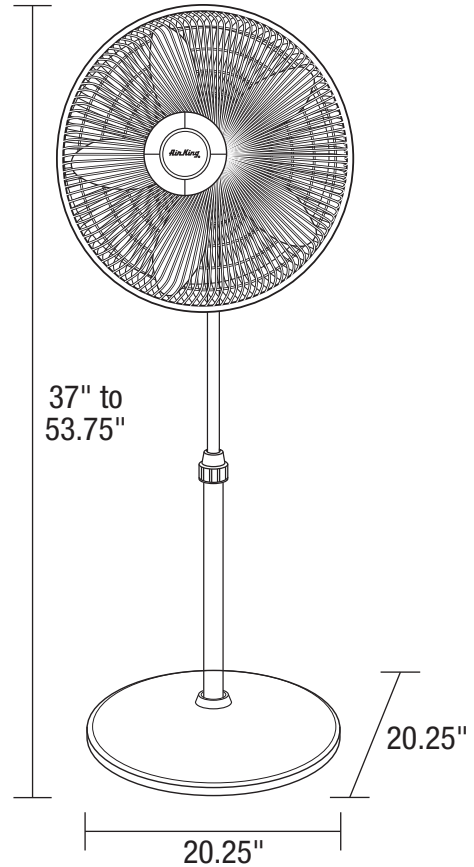
SPECIFICATIONS

9119

COMMERCIAL FANS

**18" Oscillating Pedestal Fan
120 Volts, 60 hz.**

- **Grilles/Guards**
Powder coated steel front grill with impact resistant plastic rear grill
- **Motor**
3-speed, 1/20 HP, 120V, 1 phase, permanently lubricated, permanent split capacitor
- **Fan Blade**
Chemical resistant polypropylene blade
- **Cord**
White, 6', 3-conductor, SPT type
- **Switch**
Rear mounted rotary dial
- **Oscillation**
90° or can be locked in non-oscillating position
- **Height Adjustments**
Telescoping from 37" to 53.75"
- **Product Dimensions**
20.25"L x 20.25"W x 53.75"H
- **Shipping Information**
Shipping Weight: 16.5 lbs.



MODEL	CFM			RPM			AMPS			WATTS			DB A		
	HIGH	MED	LOW	HIGH	MED	LOW	HIGH	MED	LOW	HIGH	MED	LOW	HIGH	MED	LOW
9119	1950	1680	1380	1100	950	800	0.85	0.67	0.56	95	82	68	51	48	43



www.airkinglimited.com

U.S.: 820 Lincoln Drive
West Chester, Pennsylvania 19380-4466
Tel: (610) 692-7400 • 877-304-3785
Fax: (610) 696-8048