



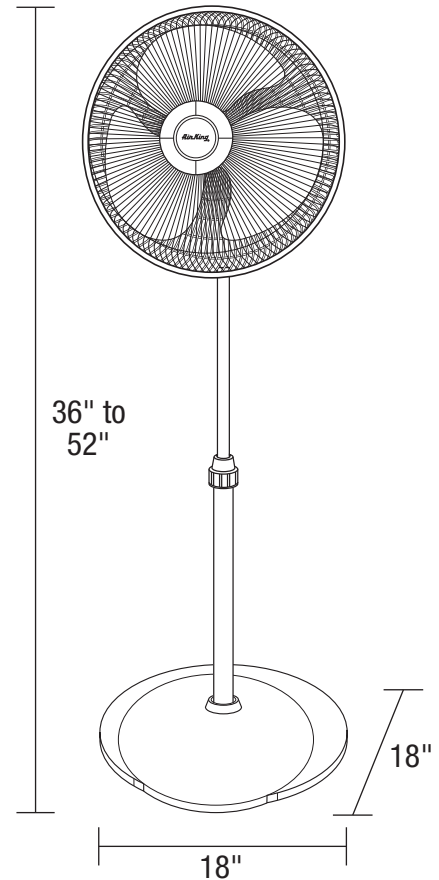
SPECIFICATIONS

9126

COMMERCIAL FANS

**16" Oscillating Pedestal Fan
120 Volts, 60 hz.**

- **Grilles/Guards**
Powder coated steel front grill with impact resistant plastic rear grill
- **Motor**
3-speed, 1/20 HP, 120V, 1 phase, permanently lubricated, permanent split capacitor
- **Fan Blade**
Chemical resistant polypropylene blade
- **Cord**
White, 6', 3-conductor, SPT type
- **Switch**
Rear mounted rotary dial
- **Oscillation**
90° or can be locked in non-oscillating position
- **Height Adjustments**
Telescoping from 36" to 52"
- **Product Dimensions**
18"L x 18"W x 52"H
- **Shipping Information**
UPC: 0-46013-39070-7
Shipping Weight: 11.3 lbs.



MODEL	CFM			RPM			AMPS			WATTS			DB A		
	HIGH	MED	LOW	HIGH	MED	LOW	HIGH	MED	LOW	HIGH	MED	LOW	HIGH	MED	LOW
9126	1580	1420	1220	1450	1320	1050	0.60	0.50	0.45	70	60	50	50	45	39



U.S.: 820 Lincoln Drive
West Chester, Pennsylvania 19380-4466
Tel: (610) 692-7400 • 877-304-3785
Fax: (610) 696-8048