



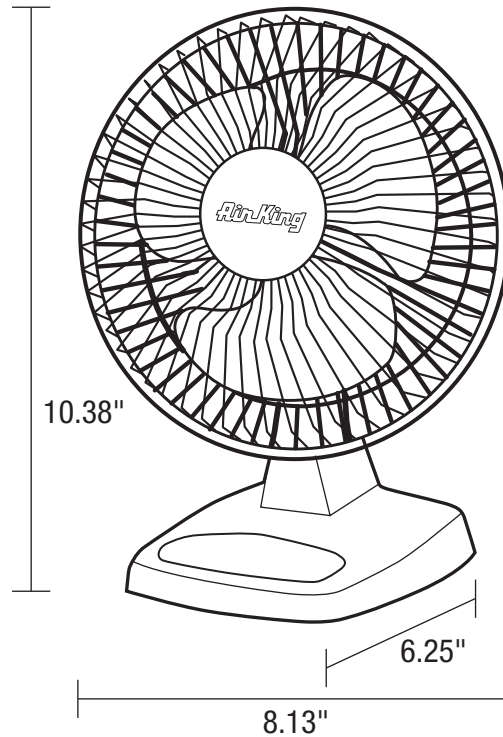
SPECIFICATIONS

**9146**

COMMERCIAL FANS

**6" Personal Fan  
120 Volts, 60 hz.**

- **Grilles/Guards**  
Zinc plated steel front grill with impact resistant plastic rear grill
- **Motor**  
2-speed, 1/300 HP, 120V, 1 phase, permanently lubricated
- **Fan Blade**  
Chemical resistant polypropylene blade
- **Cord**  
White, 6', 3-conductor, SPT type
- **Switch**  
2-speed, rear mounted rotary switch
- **Product Dimensions**  
8.13"L x 6.25"W x 10.38"H
- **Shipping Information**  
UPC: 0-46013-38040-1  
Shipping Weight: 2.1 lbs.



MODEL	CFM		RPM		AMPS		WATTS		DB A	
	HIGH	LOW	HIGH	LOW	HIGH	LOW	HIGH	LOW	HIGH	LOW
<b>9146</b>	190	90	2020	1740	0.19	0.14	12	9	37	34



**U.S.:** 820 Lincoln Drive  
West Chester, Pennsylvania 19380-4466  
Tel: (610) 692-7400 • 877-304-3785  
Fax: (610) 696-8048