



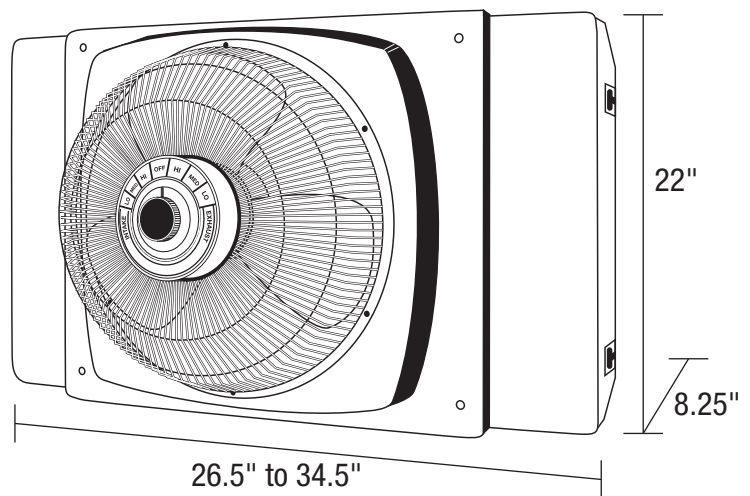
SPECIFICATIONS

**9155**

WINDOW FAN

**16" Window Fan**

- **Motor**  
3-speed, 1/6 HP, 120V, 1 phase, ball bearing, permanently lubricated, permanent split capacitor
- **Controls**  
Front mounted rotary switch
- **Power Cord**  
White, 6', 3-conductor, SPT-2-R type
- **Construction**  
High impact styrene housing, ABS plastic blade, and metal front grill
- **Compliance**  
ETL, OSHA
- **Window Size Requirements**  
26.5" to 34.5" x 22"H
- **Product Dimensions**  
26.5"L x 8.25"W x 22"H
- **Shipping Information**  
UPC: 0-46013-38010-4  
Shipping Weight: 15 lbs.



MODEL	CFM			RPM			AMPS			WATTS			DB A		
	HIGH	MED	LOW	HIGH	MED	LOW	HIGH	MED	LOW	HIGH	MED	LOW	HIGH	MED	LOW
<b>9155</b>	2470	1700	1360	1370	1140	855	0.8	0.6	0.5	90	65	52	64	50	47



**U.S.:** 820 Lincoln Drive  
West Chester, Pennsylvania 19380-4466  
Tel: (610) 692-7400 • 877-304-3785  
Fax: (610) 696-8048