



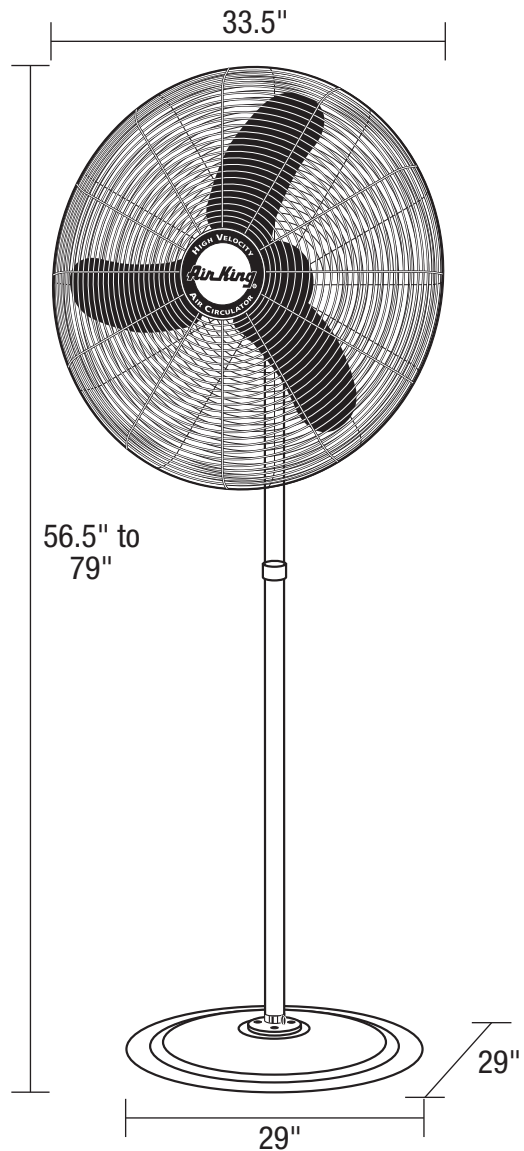
SPECIFICATIONS

9170

INDUSTRIAL FANS

30" Pedestal Fan

- **Motor**
3-speed, 1/3 HP, 120V, 1 phase, totally enclosed, ball bearing, permanently lubricated, permanent split capacitor
- **Controls**
Rear mounted pull cord switch
- **Power Cord**
Black, 10', 3-conductor, S type
- **Coating**
Blade, Guard, and Mounts are powder coated steel
- **Compliance**
ETL, OSHA
- **Height**
Adjustable from 56.5" to 79"
- **Product Dimensions**
33.5" L x 29" W x 79" H
- **Shipping Information**
UPC: 0-46013-38990-9
Shipping Weight: 80 lbs.



MODEL	CFM			RPM			AMPS			WATTS			DB A		
	HIGH	MED	LOW	HIGH	MED	LOW	HIGH	MED	LOW	HIGH	MED	LOW	HIGH	MED	LOW
9170	8780	7480	5570	1075	925	800	2.8	2.0	1.7	308	205	170	72	70	64



U.S.: 820 Lincoln Drive
West Chester, Pennsylvania 19380-4466
Tel: (610) 692-7400 • 877-304-3785
Fax: (610) 696-8048