



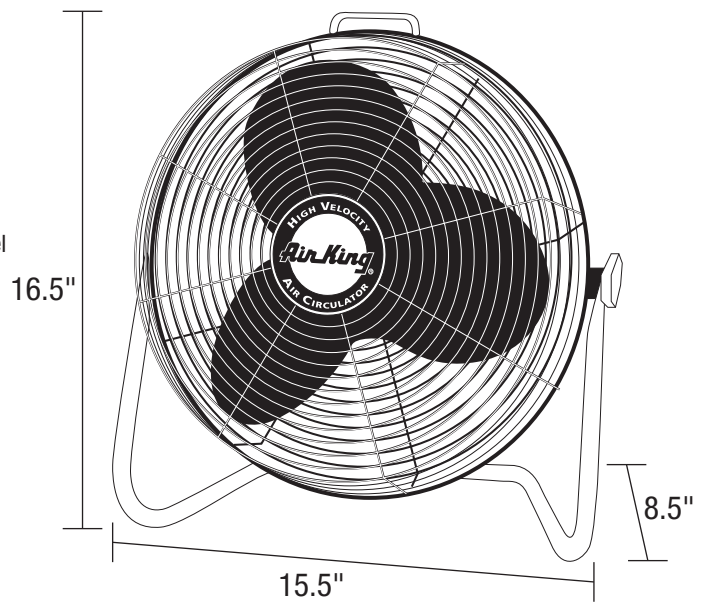
SPECIFICATIONS

9212

INDUSTRIAL FANS

**12" Pivoting
Floor Fan**

- **Motor**
3-speed, 1/25 HP, 120V, 1 phase, totally enclosed, ball bearing, permanently lubricated, permanent split capacitor.
- **Controls**
Rear mounted rotary switch
- **Power Cord**
Black, 9', 3-conductor, S type
- **Coating**
Blade, Guard, and Mounts are powder coated steel
- **Compliance**
ETL, OSHA
- **Product Dimensions**
15.5" L x 8.5" W x 16.5" H
- **Shipping Information**
UPC: 0-46013-39160-5
Shipping Weight: 12.1 lbs.



MODEL	CFM			RPM			AMPS			WATTS			DB A		
	HIGH	MED	LOW	HIGH	MED	LOW	HIGH	MED	LOW	HIGH	MED	LOW	HIGH	MED	LOW
9212	1360	1170	1010	1545	1205	900	0.8	0.6	0.5	85	76	64	56	49	42



U.S.: 820 Lincoln Drive
West Chester, Pennsylvania 19380-4466
Tel: (610) 692-7400 • 877-304-3785
Fax: (610) 696-8048