



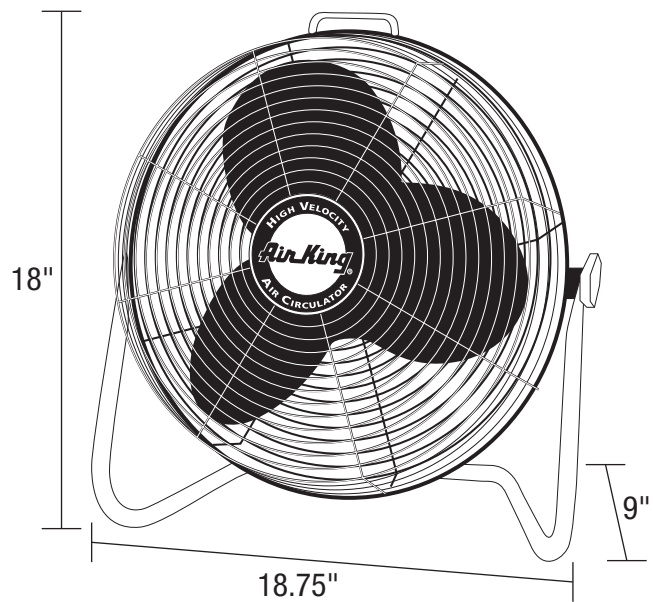
SPECIFICATIONS

**9214**

INDUSTRIAL FANS

**14" Pivoting  
Floor Fan**

- **Motor**  
3-speed, 1/20 HP, 120V, 1 phase, totally enclosed, ball bearing, permanently lubricated, permanent split capacitor
- **Controls**  
Rear mounted rotary switch
- **Power Cord**  
Black, 9', 3-conductor, S type
- **Coating**  
Blade, Guard, and Mounts are powder coated steel
- **Compliance**  
ETL, OSHA
- **Product Dimensions**  
18.75"L x 9"W x 18"H
- **Shipping Information**  
UPC: 0-46013-39710-2  
Shipping Weight: 13.6 lbs.



MODEL	CFM			RPM			AMPS			WATTS			DB A		
	HIGH	MED	LOW	HIGH	MED	LOW	HIGH	MED	LOW	HIGH	MED	LOW	HIGH	MED	LOW
<b>9214</b>	1650	1470	1180	1498	1296	934	0.6	0.5	0.4	63	56	48	58	55	48



**U.S.:** 820 Lincoln Drive  
West Chester, Pennsylvania 19380-4466  
Tel: (610) 692-7400 • 877-304-3785  
Fax: (610) 696-8048