



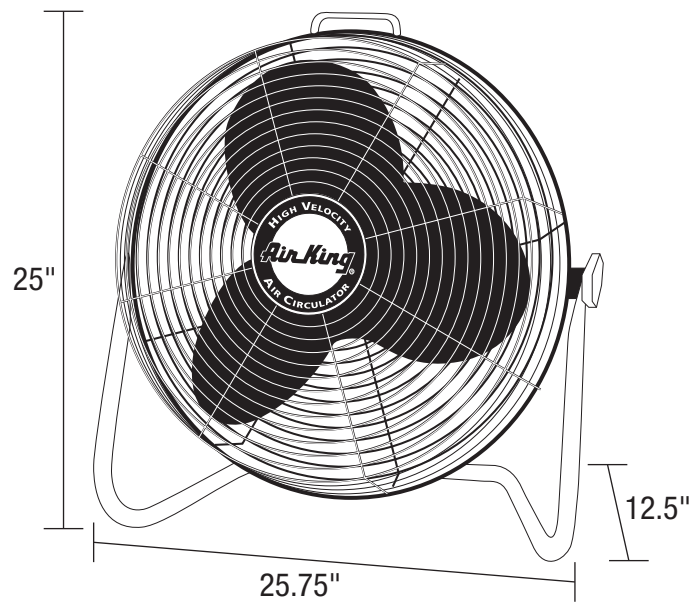
SPECIFICATIONS

9220

INDUSTRIAL FANS

**20" Pivoting
Floor Fan**

- **Motor**
3-speed, 1/6 HP, 120V, 1 phase, totally enclosed, ball bearing, permanently lubricated, permanent split capacitor
- **Controls**
Rear mounted rotary switch
- **Power Cord**
Black, 9', 3-conductor, S type
- **Coating**
Blade, Guard, and Mounts are powder coated steel
- **Compliance**
ETL, OSHA
- **Product Dimensions**
25.75"L x 12.5"W x 25"H
- **Shipping Information**
UPC: 0-46013-39300-5
Shipping Weight: 24 lbs.



MODEL	CFM			RPM			AMPS			WATTS			DB A		
	HIGH	MED	LOW	HIGH	MED	LOW	HIGH	MED	LOW	HIGH	MED	LOW	HIGH	MED	LOW
9220	3670	3330	2940	1500	1310	1050	1.6	1.3	1.1	184	155	130	62	55	48



U.S.: 820 Lincoln Drive
West Chester, Pennsylvania 19380-4466
Tel: (610) 692-7400 • 877-304-3785
Fax: (610) 696-8048