



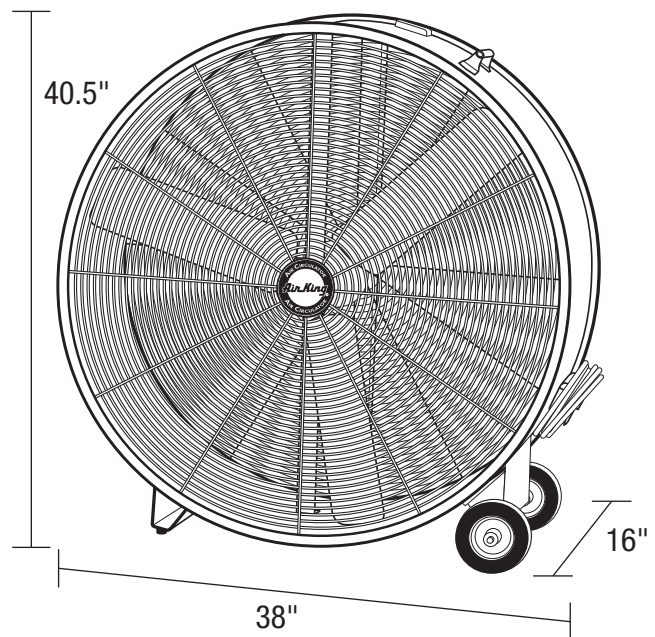
SPECIFICATIONS

9236D

INDUSTRIAL FANS

**36" Direct Drive
Drum Fan**

- **Motor**
2-speed, 1/2 HP, 120V, 1 phase, ball bearing, permanently lubricated, permanent split capacitor
- **Controls**
Side mounted switch
- **Power Cord**
Black, 10', 3-conductor, SJT type
- **Coating**
Blade, Guard, and Mounts are powder coated steel
- **Compliance**
ETL, OSHA
- **Product Dimensions**
38"L x 16"W x 40.5"H
- **Shipping Information**
UPC: 0-46013-30301-1
Shipping Weight: 61 lbs.



MODEL	CFM		RPM		AMPS		WATTS		DB A	
	HIGH	LOW	HIGH	LOW	HIGH	LOW	HIGH	LOW	HIGH	LOW
9236D	10900	7850	1120	805	6.5	5.7	725	564	78	66



U.S.: 820 Lincoln Drive
West Chester, Pennsylvania 19380-4466
Tel: (610) 692-7400 • 877-304-3785
Fax: (610) 696-8048