



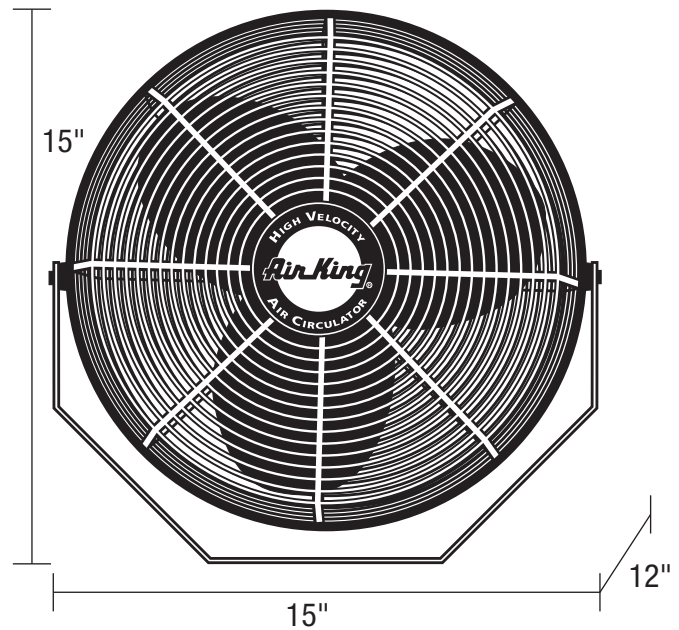
SPECIFICATIONS

9312

INDUSTRIAL FANS

12" Multi Mount Fan

- **Motor**
3-speed, 1/25 HP, 120V, 1 phase, open motor, sleeve bearing, permanent split capacitor
- **Controls**
Rear mounted pull cord switch
- **Power Cord**
Black, 9', 3-conductor, S type
- **Coating**
Blade, Guard, and Mounts are powder coated steel
- **Compliance**
ETL, OSHA
- **Product Dimensions**
15"L x 12"W x 15"H
- **Shipping Information**
UPC: 0-46013-39460-6
Shipping Weight: 11.5 lbs.



MODEL	CFM			RPM			AMPS			WATTS			DB A		
	HIGH	MED	LOW	HIGH	MED	LOW	HIGH	MED	LOW	HIGH	MED	LOW	HIGH	MED	LOW
9312	1360	1170	1010	1545	1205	900	0.8	0.6	0.5	85	76	64	56	49	42



U.S.: 820 Lincoln Drive
West Chester, Pennsylvania 19380-4466
Tel: (610) 692-7400 • 877-304-3785
Fax: (610) 696-8048