



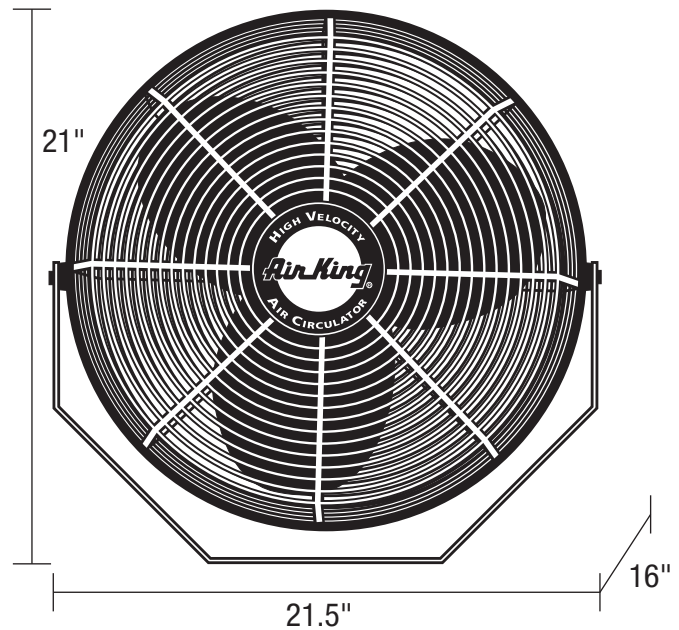
SPECIFICATIONS

9318

INDUSTRIAL FANS

18" Multi Mount Fan

- **Motor**
3-speed, 1/6 HP, 120V, 1 phase, totally enclosed, ball bearing, permanently lubricated, permanent split capacitor
- **Controls**
Rear mounted pull cord switch
- **Power Cord**
Black, 9', 3-conductor, S type
- **Coating**
Blade, Guard, and Mounts are powder coated steel
- **Compliance**
ETL, OSHA
- **Product Dimensions**
21.5"L x 16"W x 21"H
- **Shipping Information**
UPC: 0-46013-39470-5
Shipping Weight: 21.4 lbs.



MODEL	CFM			RPM			AMPS			WATTS			DB A		
	HIGH	MED	LOW	HIGH	MED	LOW	HIGH	MED	LOW	HIGH	MED	LOW	HIGH	MED	LOW
9318	3190	2970	2660	1500	1300	1100	1.5	1.3	1.0	180	150	125	67	58	49



U.S.: 820 Lincoln Drive
West Chester, Pennsylvania 19380-4466
Tel: (610) 692-7400 • 877-304-3785
Fax: (610) 696-8048