



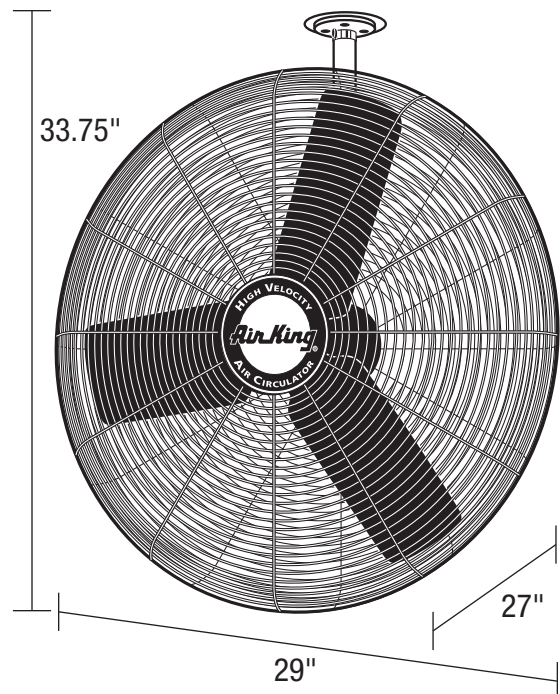
SPECIFICATIONS

9374

INDUSTRIAL FANS

**24" Oscillating
Ceiling Mount Fan**

- **Motor**
3-speed, 1/3 HP, 120V, 1 phase, totally enclosed, ball bearing, permanently lubricated, permanent split capacitor
- **Controls**
Rear mounted pull cord switch
- **Power Cord**
Black, 10', 3-conductor, S type
- **Coating**
Blade, Guard, and Mounts are powder coated steel
- **Compliance**
ETL, OSHA
- **Oscillation**
90°
- **Product Dimensions**
27"L x 29"W x 33.75"H
- **Shipping Information**
UPC: 0-46013-38890-2
Shipping Weight: 38.4 lbs.



| MODEL | CFM | | | RPM | | | AMPS | | | WATTS | | | DB A | | |
|-------------|------|------|------|------|-----|-----|------|-----|-----|-------|-----|-----|------|-----|-----|
| | HIGH | MED | LOW | HIGH | MED | LOW | HIGH | MED | LOW | HIGH | MED | LOW | HIGH | MED | LOW |
| 9374 | 5770 | 5250 | 4270 | 1054 | 869 | 673 | 2.5 | 2.0 | 1.4 | 332 | 226 | 152 | 69 | 67 | 59 |



U.S.: 820 Lincoln Drive
West Chester, Pennsylvania 19380-4466
Tel: (610) 692-7400 • 877-304-3785
Fax: (610) 696-8048