



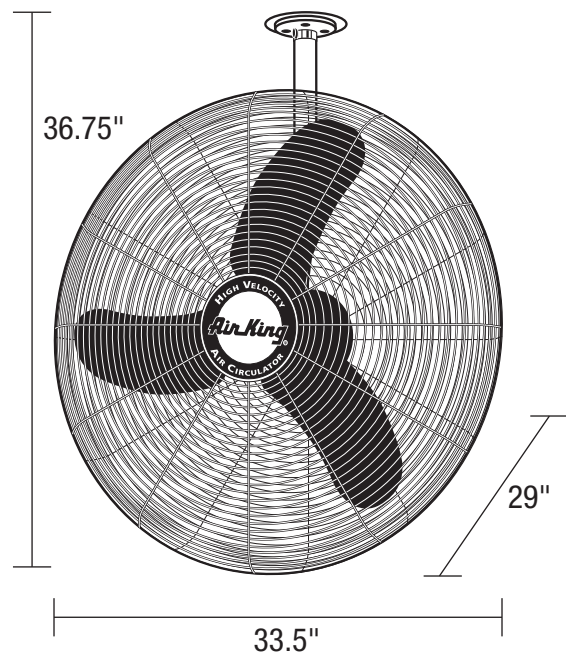
SPECIFICATIONS

**9375**

INDUSTRIAL FANS

**30" Oscillating Ceiling Mount Fan**

- **Motor**  
3-speed, 1/3 HP, 120V, 1 phase, totally enclosed, ball bearing, permanently lubricated, permanent split capacitor
- **Controls**  
Rear mounted pull cord switch
- **Power Cord**  
Black, 10', 3-conductor, S type
- **Coating**  
Blade, Guard, and Mounts are powder coated steel
- **Compliance**  
ETL, OSHA
- **Oscillation**  
90°
- **Product Dimensions**  
33.5"L x 29"W x 36.75"H
- **Shipping Information**  
UPC: 0-46013-38880-3  
Shipping Weight: 44.9 lbs.



MODEL	CFM			RPM			AMPS			WATTS			DB A		
	HIGH	MED	LOW	HIGH	MED	LOW	HIGH	MED	LOW	HIGH	MED	LOW	HIGH	MED	LOW
<b>9375</b>	8780	7480	5570	1075	925	800	2.8	2.0	1.7	308	205	170	72	70	64



**U.S.:** 820 Lincoln Drive  
West Chester, Pennsylvania 19380-4466  
Tel: (610) 692-7400 • 877-304-3785  
Fax: (610) 696-8048