



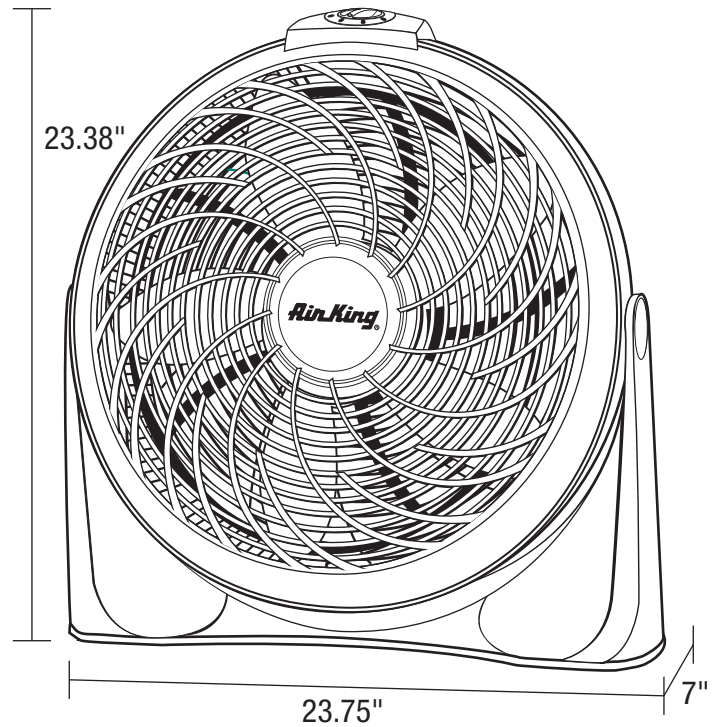
SPECIFICATIONS

9500

COMMERCIAL FANS

**20" Deluxe Pivot Fan
120 Volts, 60 hz.**

- **Grilles/Guards**
Impact resistant plastic
- **Motor**
3-speed, 1/22 HP, 120V, 1 phase, permanently lubricated, permanent split capacitor
- **Fan Blade**
Chemical resistant polypropylene blade
- **Cord**
Black, 6', 3-conductor, SPT type
- **Switch**
3-speed, rear mounted rotary switch
- **Product Dimensions**
23.75"L x 7"W x 23.38"H
- **Shipping Information**
UPC: 0-46013-39120-9
Shipping Weight: 12.4 lbs.



MODEL	CFM			RPM			AMPS			WATTS			DB A		
	HIGH	MED	LOW	HIGH	MED	LOW	HIGH	MED	LOW	HIGH	MED	LOW	HIGH	MED	LOW
9500	2470	2055	1570	1137	1018	777	1.05	0.82	0.62	129	106	79	64	60	52



U.S.: 820 Lincoln Drive
West Chester, Pennsylvania 19380-4466
Tel: (610) 692-7400 • 877-304-3785
Fax: (610) 696-8048