

IMPORTANT INSTRUCTIONS - OPERATING MANUAL



HIGH VELOCITY WALL MOUNT FAN

18" (45,7 cm) MODEL 9518

Commercial Style fan

WARNING: This fan should be used only in a clean, dry environment. Mounting of this product in any way other than specified in the instruction sheet will null and void the manufacturers warranty.

It is not intended to be used in agricultural settings.



READ AND SAVE THESE INSTRUCTIONS

READ CAREFULLY BEFORE ATTEMPTING TO ASSEMBLE, INSTALL, OPERATE OR MAINTAIN THE PRODUCT DESCRIBED. PROTECT YOURSELF AND OTHERS BY OBSERVING ALL SAFETY INFORMATION. FAILURE TO COMPLY WITH INSTRUCTIONS COULD RESULT IN PERSONAL INJURY AND/OR PROPERTY DAMAGE!



WARNING



IMPORTANT SAFETY INFORMATION

When using electrical appliances, basic precautions should always be followed to reduce the risk of fire, electrical shock and injury to persons, including the following:



Read all instructions before using this Fan.



WARNING

TO REDUCE THE RISK OF FIRE, ELECTRICAL SHOCK OR PERSONAL INJURY, ALWAYS FOLLOW THESE IMPORTANT SAFETY INSTRUCTIONS AND WARNINGS:



DO NOT use this fan to ventilate areas where flammable liquids or vapors are used, stored or are present, including paints, gasoline, varnishes, floor refinishing products or solvents. **ALWAYS** read and follow all warnings and instructions on the containers for these products!



ALWAYS be sure the plug fits tightly into the outlet. When plugs fit loosely into outlets, they may slip partially out of the outlet and create a poor connection. This may cause outlets to overheat and create a potential fire hazard. Outlets in this condition should be replaced by a qualified electrician.



ALWAYS unplug the power cord when servicing, cleaning or moving the Fan. **DO NOT** use the ON/OFF switch as the sole means of disconnecting power. **NEVER** leave children unattended when the Fan is on or plugged in. **ALWAYS** turn off and unplug the Fan when not in use.



BE CERTAIN that the power source for the Fan is 120V AC. **DO NOT** plug the Fan into 240V or other power source.

The **Blue Plug™** on your AirKing fan is a safety feature. It contains a non-replaceable safety device (fuse) that should not be removed or tampered with. To reduce the risk of fire, electric shock and personal injury, **DO NOT** attempt to remove, replace, repair or tamper with the originally supplied plug. If the Fan has stopped functioning, it may be due to the safety device incorporated in this plug.

The power cord is equipped with a three-prong grounded plug that must be inserted into a matching receptacle. Under no circumstances should the grounding prong be cut off the plug. Where a two-prong wall receptacle is encountered, it must be replaced with a properly grounded three-prong receptacle installed in accordance with the National Electrical Code (NEC) and all applicable local codes and ordinances. This work must be done only by a qualified electrician, using copper wire only.



DO NOT USE A THREE-PRONG TO TWO-PRONG ADAPTER. IMPROPER CONNECTION MAY CREATE THE RISK OF ELECTRICAL SHOCK. USE OF SUCH ADAPTERS IS NOT PERMITTED IN CANADA.



WARNING: To reduce the risk of fire, electric shock, or injury to persons, do not use replacement parts that have not been recommended by the manufacturer (e.g. parts made at home using a 3D printer).

CAUTION

- **AVOID** the use of extension cords, power strips, power taps, outlet style air fresheners or other cord connected device, as these devices may overheat and cause a fire hazard.
- **DO NOT** route power cord under rugs, carpets, runners or furniture. This may damage the cord or cause it to overheat creating a fire hazard.
- **ALWAYS** place the Fan on a stable, flat, level surface while in operation to prevent the Fan from overturning.
- **NEVER** insert or allow fingers or objects to enter grill openings while Fan is in operation or injury and/or damage to the Fan may occur.
- **DO NOT** block, cover or obstruct air flow to or from the fan while in operation.
- **DO NOT** use this Fan outdoors or near water or wet locations such as a bath tub, pool or hot tub. Use of this Fan in a wet location may create a shock hazard.
- **DO NOT** run cord under carpeting. Do not cover cord with throw rugs, runners, or similar coverings. Do not route cord under furniture or appliances. Arrange cord away from traffic area and where it will not be tripped over.
- **NEVER** use a single extension cord to operate more than one Fan or other electrical device.
- **DO NOT** use this Fan if it has been damaged or is not functioning properly.
- **THIS FAN DOES NOT MEET THE REQUIREMENTS OF NEC ARTICLE 547-7 (2008).** This Fan is not suitable for use in agricultural facilities including areas where livestock, poultry or other animals are confined. Please refer to National Electric Code (NEC) Article 547-7 (2008), or applicable state or local codes or standards relating to electrical requirements for agricultural buildings.
- **THIS FAN DOES NOT MEET THE REQUIREMENTS OF NEC ARTICLE 500 (2008).** This Fan is not suitable for use in hazardous locations. Please refer to National Electric Code (NEC) Article 500 or applicable state or local codes or standards relating to electrical requirements for hazardous locations.

SAVE THESE INSTRUCTIONS

MODEL 9518

DESCRIPTION

The Air King 18" (45,7 cm) Multi Mount Fan features Pull Cord operation and a 3-paddle Fan Blade. This Fan has a permanently lubricated motor with a 9 ft (2,74 m) 18/3 cord set and is constructed of sturdy, powder coated steel.

SPECIFICATIONS

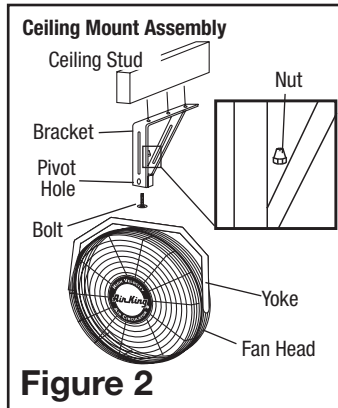
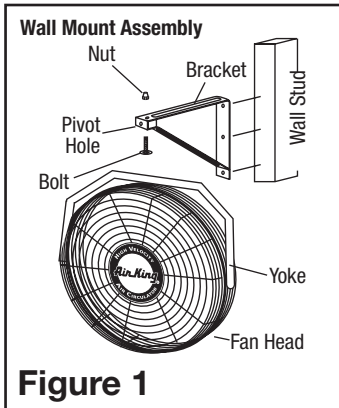
Motor120 V, 60 Hz
Blade diameter18" (45,7 cm)
Speeds3
Control.....Pull Cord
Air flow distribution.....360°
ApprovalsETL Listed. Close mesh Fan guard meets OSHA requirements.

WARNING: BECAUSE OF SIZE AND WEIGHT OF THIS FAN, MAKE SURE ALL PARTS ARE COMPLETELY ASSEMBLED ACCORDING TO INSTRUCTIONS. FAILURE TO DO SO COULD RESULT IN FAN COMING APART DURING OPERATION AND/OR PERSONAL INJURY.

WALL/CEILING BRACKET INSTALLATION

NOTE: Always install the bracket to a minimum of 2" x 4" studding.

1. Locate the wall or ceiling stud nearest to the desired Fan location. Following the proper mounting diagram, attach the bracket to the stud using three (3) 5/16" diameter x 2" long lag screws (Not Supplied) or appropriately sized bolts and nuts if attaching to "I" beams.
2. Insert Bolt through Yoke, Bracket, Pivot Hole, and into Locknut (**Figure 1**) or (**Figure 2**).

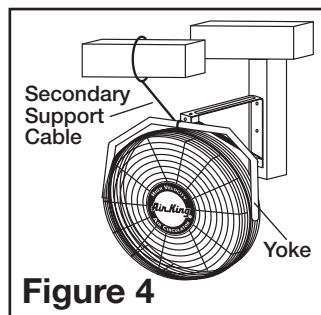
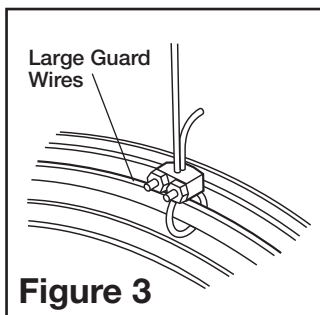


3. While holding Fan in the desired position, firmly tighten the 7/16" Bolt.

CAUTION: THE SECONDARY SUPPORT CABLE PROVIDED SHOULD BE USED ANYTIME THE CIRCULATOR IS MOUNTED OVERHEAD FOR ADDITIONAL SAFETY.

SECONDARY SUPPORT CABLE

1. Loop one end of Cable around the Large Diameter Wires of both the Front and Rear Circulator Guard (**Figure 3**).
2. Attach a Cable Clamp with the "U" on the tail side of the loop leaving a tail approximately 1 to 2 inches. Tighten Clamp Nuts. Make sure no part of the Cable interferes with the Blade (**Figure 3**).



3. Wrap the other end of the Cable around a secure building joist, truss, or other support near the Fan (**Figure 4**). Take up all excess slack in the Cable.



CAUTION: USE ONLY THE MOUNTING HARDWARE WHICH IS RECOMMENDED FOR USE ON THIS FAN.

4. Attach the remaining Cable Clamp as indicated in Step 2. The excess tail should be trimmed to extend 1 to 2 inches past the Clamp.
5. Check the Assembly to assure the Blade is free of all obstructions.



CAUTION: USE OF THE SECONDARY SUPPORT CABLE DOES NOT GUARANTEE PROTECTION AGAINST INJURY OF PERSONS. MOUNTING OF BOTH THE CIRCULATOR AND CABLE COULD FAIL IF SUBJECTED TO ABUSE, NEGLIGENCE OR IMPROPER INSTALLATION.

OPERATION

1. Plug the power cord into a properly grounded three-prong receptacle.
2. Using the Pull Cord Switch, set the desired Fan Speed.



WARNING: THIS FAN SHOULD BE USED ONLY IN A CLEAN, DRY ENVIRONMENT. MOUNTING OF THIS PRODUCT IN ANY WAY OTHER THEN SPECIFIED IN THE INSTRUCTION SHEET WILL NULL AND VOID THE MANUFACTURER'S WARRANTY.

MAINTENANCE



WARNING: ALWAYS UNPLUG THE CORD BEFORE MOVING OR SERVICING.



WARNING: DO NOT IMMERSE FAN IN WATER!

CLEANING: Use a soft cloth and mild soap solution such as liquid dish washing detergent. Dry all parts completely before reconnecting to power supply.



CAUTION: DO NOT USE GASOLINE, BENZINE, THINNER, HARSH CLEANERS, ETC. AS THEY WILL DAMAGE THE FAN. NEVER USE ALCOHOL OR SOLVENTS.

LUBRICATION: Precision bearings are sealed at the factory for life and do not require further lubrication.

STORAGE: Store the Fan, with these instructions, in a clean and dry place.

DISPOSITION: Corrugated packaging materials are recyclable. For environmentally responsible disposal of this product, contact your local waste service provider or visit www.1800recycling.com®.

CALIFORNIA RESIDENTS ONLY:



WARNING: THIS PRODUCT CAN EXPOSE YOU TO A CHEMICAL [OR CHEMICALS] KNOWN TO THE STATE OF CALIFORNIA TO CAUSE CANCER.



WARNING: THIS PRODUCT CAN EXPOSE YOU TO A CHEMICAL [OR CHEMICALS] KNOWN TO THE STATE OF CALIFORNIA TO CAUSE REPRODUCTIVE TOXICITY.

MODEL 9518

NOTES

LIMITED WARRANTY

WHAT THIS WARRANTY COVERS: This product is warranted against defects in workmanship and/or materials.

HOW LONG THIS WARRANTY LASTS: This warranty extends only to the original purchaser of the product and lasts for one (1) year from the date of original purchase or until the original purchaser of the product sells or transfers the product, whichever first occurs.

WHAT AIR KING WILL DO: During the warranty period, Air King will, at its sole option, replace any part or parts that prove to be defective or replace the whole product with the same or comparable model.

WHAT THIS WARRANTY DOES NOT COVER: This warranty does not apply if the product was damaged or failed because of accident, improper handling or operation, shipping damage, abuse, misuse, unauthorized repairs made or attempted. This warranty does not cover shipping costs for the return of products to Air King for replacement. Air King will pay return shipping charges following warranty replacement.

ANY AND ALL WARRANTIES, EXPRESS OR IMPLIED (INCLUDING, WITHOUT LIMITATION, ANY IMPLIED WARRANTY OF MERCHANTABILITY), LAST ONE YEAR FROM THE DATE OF ORIGINAL PURCHASE OR UNTIL THE ORIGINAL PURCHASER OF THE PRODUCT SELLS OR TRANSFERS THE PRODUCT, WHICHEVER FIRST OCCURS AND IN NO EVENT SHALL AIR KING'S LIABILITY UNDER ANY EXPRESS OR IMPLIED WARRANTY INCLUDE (I) INCIDENTAL OR CONSEQUENTIAL DAMAGES FROM ANY CAUSE WHATSOEVER, OR (II) REPLACEMENT OR REPAIR OF ANY HOUSE FUSES, CIRCUIT BREAKERS OR RECEPTACLES. NOTWITHSTANDING ANYTHING TO THE CONTRARY, IN NO EVENT SHALL AIR KING'S LIABILITY UNDER ANY EXPRESS OR IMPLIED WARRANTY EXCEED THE PURCHASE PRICE OF THE PRODUCT AND ANY SUCH LIABILITY SHALL TERMINATE UPON THE EXPIRATION OF THE WARRANTY PERIOD.

Some states and provinces do not allow limitations on how long an implied warranty lasts, or the exclusion or limitation of incidental or consequential damages, so these exclusions or limitations may not apply to you. This warranty gives you specific legal rights. You may also have other rights which vary from state to state and province to province. Proof of purchase is required before a warranty claim will be accepted.

CUSTOMER SERVICE:

Email: producthelp@lasko.com

Web: www.airkinglimited.com

Our Customer Service team is available to assist you. Chat with us at www.airkinglimited.com Monday-Friday 8am - 9pm EST (Valid in U.S. and Canada only). Please have your model number available, as well as the type and style.

Customer Service Dept., 820 Lincoln Ave., West Chester, PA 19380 (Please do not send product to this location)

PARTS FOR DISCONTINUED, OBSOLETE AND CERTAIN OTHER PRODUCTS MAY NOT BE AVAILABLE. DUE TO SAFETY REASONS, MANY ELECTRONIC COMPONENTS AND MOST HEATER COMPONENTS ARE NOT AVAILABLE TO CONSUMERS FOR INSTALLATION OR REPLACEMENT.



VENTILADOR DE ALTA VELOCIDAD Y MONTAJE EN PARED

18" (45,7 cm) MODEL 9518

Ventilador Estilo Comercial

ADVERTENCIA: Este ventilador debe ser usado solamente en un ambiente limpio y seco. Si el producto está montado de alguna otra manera específica que indica la hoja de instrucción, podría anularse y no tener valor la garantía del fabricante.

No está destinado para ser usado en instalaciones agrícolas.



LEA Y GUARDE ESTAS INSTRUCCIONES

LEA CUIDADOSAMENTE LAS INSTRUCCIONES ANTES DE INTENTAR ARMAR, INSTALAR, USAR O DAR MANTENIMIENTO AL PRODUCTO DESCRITO. PROTÉJASE A SÍ MISMO Y A LOS DEMÁS CUMPLIENDO CON TODA LA INFORMACIÓN DE SEGURIDAD. EL NO SEGUIR LAS INSTRUCCIONES PODRÍA RESULTAR EN LESIONES PERSONALES Y/O DAÑOS A LA PROPIEDAD.



ADVERTENCIA



INSTRUCCIONES IMPORTANTES DE SEGURIDAD









Quando use este ventilador, se deben de seguir las siguientes advertencias y precauciones para reducir el riesgo de incendio, descargas eléctricas y lesiones:



Lea todas las instrucciones antes de usar este Ventilador.



ADVERTENCIA PARA REDUCIR EL RIESGO DE INCENDIOS, DESCARGAS ELÉCTRICAS SIEMPRE SIGA LAS SIGUIENTES INSTRUCCIONES Y ADVERTENCIAS:

-  NO utilice este ventilador para ventilar las zonas donde se usen, almacenen o estén presentes líquidos o vapores inflamables, incluidos pinturas, gasolina, barnices, disolventes o productos de acabado para pisos. ¡SIEMPRE lea y siga todas las advertencias e instrucciones descritas en los envases de estos productos!
-  SIEMPRE asegúrese de que el enchufe encaje bien en el tomacorriente. Cuando los enchufes no encajan bien en el tomacorriente, pueden deslizarse un poco y crear una mala conexión. Esto puede causar que los tomacorrientes se sobrecalienten y crear un riesgo de incendio potencial. Un electricista calificado debe cambiar los tomacorrientes que se encuentren en esta condición.
-  SIEMPRE desenchufe el cable de corriente cuando realice mantenimiento, limpieza o mueva el ventilador. NO use el interruptor ENCENDIDO/APAGADO (ON/OFF) como el único medio para desconectar de la electricidad. NUNCA deje a los niños sin supervisión cuando el ventilador esté encendido o conectado. SIEMPRE apague y desenchufe el ventilador cuando no esté en uso.
-  ASEGURESE que la fuente de energía para el ventilador sea de 120 Vca. NO enchufe el ventilador en una fuente de energía de 240 Vca ni en ninguna otra fuente de energía que no sea la indicada.
-  El Blue Plug™ en su ventilador AirKing es una característica de seguridad. Contiene un dispositivo de seguridad no reemplazable (fusible) que no debe ser removido ni manipulado. Para reducir el riesgo de incendios, descargas eléctricas y lesiones, NO remueva, reemplace, repare ni manipule el enchufe suministrado originalmente. Si el ventilador no funciona adecuadamente, puede deberse al dispositivo de seguridad incorporado en este enchufe.
-  El cordón eléctrico está equipado con una clavija a tierra de tres espigas que tiene que ser enchufada a un receptáculo del mismo diseño. Bajo ninguna circunstancia deberá cortarse la espiga a tierra de la clavija. De existir un receptáculo de pared de dos espigas, deberá reemplazarse por uno de tres espigas debidamente puesto a tierra e instalado de conformidad con el Código Nacional de Electricidad y todos los códigos y ordenanzas locales aplicables. El trabajo deberá hacerlo un electricista calificado, utilizando exclusivamente alambre de cobre.
-  NO UTILICE UN ADAPTADOR DE TRES A DOS CLAVIJAS. LA CONEXIÓN INDEBIDA PODRÍA CREAR EL RIESGO DE SER ELECTROCUTADO. EL USO DE TALES ADAPTADORES NO ESTÁ PERMITIDO EN CANADÁ.
-  ADVERTENCIA: Para reducir el riesgo de incendio, choque eléctrico o lesiones a personas, no use piezas de reemplazo que no sean recomendadas por el fabricante (por ejemplo, piezas hechas en casa con una impresora 3D).

PRECAUCIÓN

- EVITE el uso de cables de extensión, enchufes múltiples, triples, ambientadores eléctricos u otro dispositivo conectado por cables, ya que estos dispositivos pueden sobrecalentarse y causar un riesgo de incendio.
- NO coloque los cables de alimentación debajo de alfombras, tapetes o muebles. Esto puede dañar el cable o causar que se sobrecaliente y originar un riesgo de incendio.
- SIEMPRE colocar el ventilador en una superficie estable, plana y nivelada mientras esté funcionando para evitar que el ventilador se caiga.
- NUNCA inserte ni permita que introduzcan los dedos u objetos en las aberturas de la parrilla del ventilador mientras este esté en funcionamiento, ya que el ventilador puede dañarse o malograrse.
- NO bloquee, cubra ni obstruya el flujo de aire hacia o desde el ventilador mientras esté en funcionamiento.
- NO utilice este ventilador al aire libre o cerca del agua o lugares húmedos como bañeras, piscinas o jacuzzis. El uso de este ventilador en un lugar húmedo puede provocar una descarga eléctrica.
- NO cubra el cable de corriente con tapetes, alfombras estrechas o artículos de coberturas similares. No coloque el cable de corriente debajo de muebles o artefactos. Coloque el cable de corriente lejos del tráfico de la habitación, donde las personas no se tropiecen con éste.
- NUNCA use un solo cable de extensión para hacer funcionar más de un ventilador u otro aparato eléctrico.
- NO use este ventilador si es que se ha dañado o si no funcione adecuadamente.
- ESTE VENTILADOR NO CUMPLE CON LOS REQUERIMIENTOS DEL ARTÍCULO 547-7 (2008) DEL NEC. Este ventilador no es adecuado para su uso en instalaciones agrícolas, incluyendo las áreas donde el ganado, aves de corral u otros animales están encerrados. Consulte el Artículo 547-7 (2008) del Código Eléctrico Nacional (NEC) o los códigos o normas locales o estatales aplicables, relacionados con los requerimientos eléctricos para las instalaciones de agricultura.
- ESTE ARTEFACTO NO CUMPLE CON LOS REQUISITOS DEL ARTÍCULO 500 DEL NATIONAL ELECTRICAL CODE (Código Eléctrico Nacional) 2008. Este ventilador no es adecuado para uso en lugares peligrosos. Consulte el Artículo 500 del Código Eléctrico Nacional (NEC) o LOS CÓDIGOS O NORMAS LOCALES O ESTATALES APLICABLES, RELACIONADOS CON LOS REQUERIMIENTOS ELÉCTRICOS PARA LOS SITIOS PELIGROSOS.

CONSERVE ESTAS INSTRUCCIONES

MODELO 9518

DESCRIPCIÓN

Air King de ventilador para piso o para mesa y de 18" (45,7 cm) se caracteriza por el funcionamiento silencioso como murmullo con paleta de ventilador dividida en tres. Tiene motor lubricado permanentemente con juego de alambre 18/3 de 9 pies (2,7 m).

ESPECIFICACIONES

Motor.....120V, 60Hz
Tamaño de paletas18" (45,7 cm)
Velocidades3
Control.....Cordón Accionador
Distribución del flujo de aire.....360°
Aprobaciones.....Catalogación ETL. El protector de malla cerrada del ventilador satisface las normas OSHA.

ADVERTENCIA: DEBIDO AL TAMAÑO Y PESO DE ESTE VENTILADOR, ASEGURESE DE QUE TODAS LAS PIEZAS ESTAN COMPLETAMENTE MONTADAS DE ACUERDO CON LAS INSTRUCCIONES. UN FALLO PODRIA CAUSAR LA DESUNION DE LAS PIEZAS DURANTE SU FUNCIONAMIENTO Y/O DANOS PERSONALES.

INSTALACIÓN DE MÉNSULA EN PAREDES / TECHOS

NOTA: Siempre instale la ménsula en montantes de 2 x 4 como mínimo.

1. Localice el montante de pared o techo más cercano a la ubicación deseada para el Ventilador. Siguiendo el diagrama de montaje apropiado, una la Ménsula al montante, usando tres (3) Tornillos de Retraso de 5/16" de diámetro x 2" de longitud (no proporcionados) o Pernos y Tuercas de tamaño apropiado si se lo monta a vigas "I".
2. Inserte el Perno a través de la Horqueta, Soporte, Orificio de Giro, Arandela Plana y dentro de la Tuerca (Figure 1) o (Figure 2).

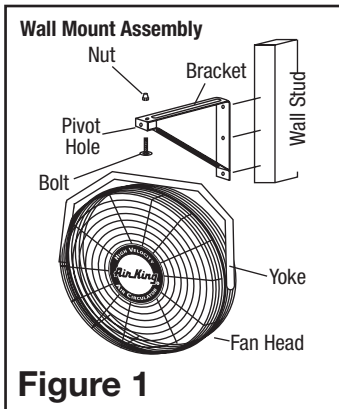


Figure 1

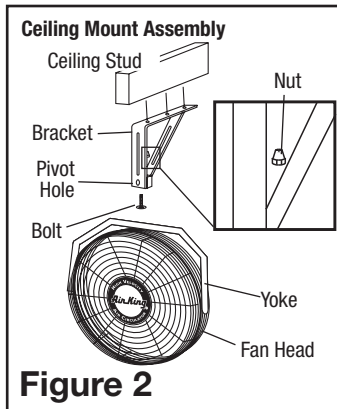


Figure 2

3. Mientras sostiene el Ventilador en la posición deseada, apriete firmemente el perno de 7/16" Bolt.

ADVERTENCIA: EL CABLE DE APOYO SECUNDARIO SUMINISTRADO DEBE UTILIZARSE CUANDO QUIERA QUE EL VENTILADOR SEA MONTADO POR LO ALTO, PARA MAYOR SEGURIDAD.

CABLE DE APOYO SECUNDARIO

1. Entrelazar el cabo del Cable alrededor de los Alambres de Diámetro Grande tanto por la Parte Delantera como por la Parte Trasera de la Defensa del Ventilador (Figure 3).
2. Fijar la Mordaza del Cable de manera que la "U" del lado del cabo del bucle quede con cabo de 1 a 2 pulgadas aproximadamente. Apretar las Tuercas de la Mordaza. Hay que asegurarse de que ninguna parte del Cable estorbe a la Paleta (Figure 3).

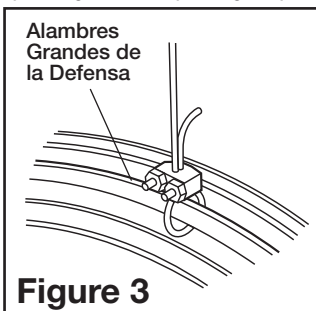


Figure 3

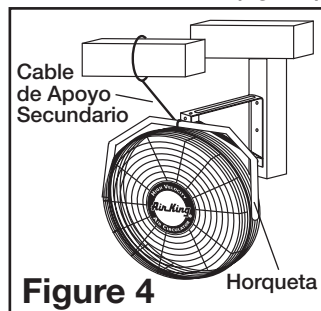


Figure 4

3. Enroscar el otro cabo del Cable alrededor de una viga o armazón segura de la edificación, o de otro soporte cercano al Ventilador (Figure 4). Recoger todo lo del cable que quede sobrando.



PRECAUCIÓN: UTILIZAR SÓLO LOS ELEMENTOS DE MONTAJE QUE SE RECOMIENDAN PARA ESTE VENTILADOR.

4. Fijar la Mordaza de Cable restante como se indica en la parte 2. Hay que recortar el exceso de cabo de manera que sólo queden de 1 a 2 pulgadas después de la Mordaza
5. Revisar el Ensamblado para cerciorarse de que la Paleta esté libre de toda obstrucción.



PRECAUCIÓN: EL USO DEL CABLE DE APOYO SECUNDARIO NO GARANTIZA LA PROTECCIÓN DE PERSONAS CONTRA LESIONES Y EL MONTAJE DEL VENTILADOR Y DEL CABLE PODRÍAN DAÑARSE SI SE MALTRATAN, SE DESCUIDAN O NO SE INSTALAN BIEN.

OPERACIÓN

1. Enchufe el cable de conexión eléctrica dentro de un tomacorriente de tres hojas conectado apropiadamente a tierra.
2. Utilizando el cordón accionador, seleccione la velocidad deseada del Ventilador.



ADVERTENCIA: ESTE VENTILADOR DEBE SER USA DO SOLAMENTE EN UN AMBIENTE LIMPIO Y SECO. SI PRODUCTO ESTA MONTDO DE ALGUNA OTRA MANERA ESPECÍFICA QUE INDICA LA HOJA DE INSTUCCÓN, PURDIERA ANULARSE Y NO TENER VALOR LA GARANTIA DEL FABRICANTE.

MANTENIMIENTO



ADVERTENCIA: SIEMPRE DESENCHUFE EL CABLE DE CORRIENTE CUANDO MUEVA O REALICE MANTENIMIENTO EL VENTILADOR.



ADVERTENCIA: ¡NO SUMERJA EL VENTILADOR EN AGUA!

LIMPIEZA: Utilice un paño suave humedecido con una solución jabonosa liviana, tal como un detergente líquido para lavar platos. Seque TODAS LAS PARTES POR COMPLETO antes de rearmar. Después de dar mantenimiento o servicio, REARME POR COMPLETO la unidad en la forma descrita en este manual de instrucciones, antes de volver a conectarla a la fuente de poder.



PRECAUCIÓN: NO UTILICE GASOLINA, BENCINA, ACETONA, LIMPIADORES ABRASIVOS, ETC. PUESTO QUE DAÑARÁN EL VENTILADOR. NUNCA USE ALCOHOL O SOLVENTES.

LUBRICACIÓN: Los cojinetes de precisión vienen sellados de por vida en la fábrica y no precisarán ninguna lubricación adicional.

ALMACENAMIENTO: Guarde el Ventilador con estas instrucciones en un lugar fresco y seco.

DISPOSICIÓN: Los materiales de empaque de cartón corrugado son reciclables. Para desechar este producto de manera ecológicamente responsable, comuníquese con su proveedor de servicio de desechos local o visite www.1800recycling.com.

SOLO PARA RESIDENTES DE CALIFORNIA:



ADVERTENCIA: ESTE PRODUCTO PUEDE EXPONERLE A UN PRODUCTO QUÍMICO [O PRODUCTOS QUÍMICOS] CONOCIDO(S) POR EL ESTADO DE CALIFORNIA COMO CAUSANTE DE CÁNCER.



ADVERTENCIA: ESTE PRODUCTO PUEDE EXPONERLE A UN PRODUCTO QUÍMICO [O PRODUCTOS QUÍMICOS] CONOCIDO(S) POR EL ESTADO DE CALIFORNIA COMO CAUSANTE DE TOXICIDAD REPRODUCTIVA.

MODELO 9518

NOTAS

GARANTÍA LIMITADA

QUÉ CUBRE ESTA GARANTÍA: Este producto está garantizado contra defectos de mano de obra y/o materiales.

CUÁNTO DURA ESTA GARANTÍA: Esta garantía se extiende únicamente al comprador original del producto y dura un (1) año a partir de la fecha original de compra o hasta que el comprador original del producto venda o transfiera el producto, cualesquiera de ambas que ocurriera en primer lugar.

QUÉ HARÁ AIR KING: Durante el período de garantía, Air King, a su exclusivo criterio, reemplazará cualquier pieza o piezas que resulten defectuosas o reemplazará todo el producto con el mismo modelo o un modelo comparable.

QUÉ NO CUBRE ESTA GARANTÍA: Esta garantía no tiene validez si el producto fue dañado o falló debido a un accidente, manipulación u operación inadecuadas, daño en el envío, abuso, mal uso, reparaciones no autorizadas hechas o el intento de hacerlas. Esta garantía no cubre los costos de envío para la devolución de productos a Air King para su reparación o reemplazo. Air King abonará los cargos de envío de devolución a Air King con posterioridad a las reparaciones o el reemplazo bajo garantía.

CUALESQUIERA Y TODAS LAS GARANTÍAS, EXPLÍCITAS O IMPLÍCITAS (INCLUYENDO, SIN LIMITACIÓN, CUALESQUIERA GARANTÍA IMPLÍCITA DE COMERCIABILIDAD), DURAN UN AÑO A PARTIR DE LA FECHA ORIGINAL DE COMPRA O HASTA QUE EL COMPRADOR ORIGINAL DEL PRODUCTO VENDA O TRANSFIERA EL PRODUCTO, CUALESQUIERA DE AMBAS QUE OCURRIERA EN PRIMER LUGAR Y EN NINGÚN CASO LA RESPONSABILIDAD DE Air King BAJO CUALQUIER GARANTÍA EXPLÍCITA O IMPLÍCITA INCLUIRÁ (I) DAÑOS INCIDENTALES O POR CONSECUENCIA POR CUALQUIER CAUSA QUE FUERE, O (II) REEMPLAZO O REPARACIÓN DE CUALESQUIERA FUSIBLES HOGAREÑOS, CORTA-CIRCUITOS O TOMACORRIENTES. INDEPENDIEMENTE DE CUALQUIER DECLARACIÓN CONTRARIA, EN NINGÚN CASO LA RESPONSABILIDAD DE Air King BAJO CUALQUIER GARANTÍA EXPLÍCITA O IMPLÍCITA PODRÁ EXCEDER EL PRECIO DE COMPRA DEL PRODUCTO Y DICHA RESPONSABILIDAD TERMINARÁ AL VENCIMIENTO DEL PERÍODO DE GARANTÍA.

Algunos estados y provincias no permiten limitaciones sobre la duración de una garantía implícita, o sobre la exclusión o limitación de los daños incidentales o por consecuencia, por lo tanto dichas exclusiones o limitaciones podrían no aplicarse en su caso. Esta garantía le otorga a usted derechos legales específicos. Usted también podría tener otros derechos que varían de estado en estado y de provincia en provincia. Se requiere prueba de compra antes que se acepte un reclamo bajo garantía.

SERVICIO AL CLIENTE:

Correo electrónico: producthelp@lasko.com

Web: www.airkinglimited.com

Nuestro equipo de atención al cliente está disponible para ayudarlo. Chatee con nosotros en www.airkinglimited.com de lunes a viernes de 8 a. m. a 9 p. m. EST (válido solo en EE. UU. y Canadá). Tenga a mano el número de modelo, así como el tipo y el estilo.

Customer Service Dept., 820 Lincoln Ave., West Chester, PA 19380 (Por favor, no envíe productos a esta ubicación).

ES POSIBLE QUE NO ESTÉN DISPONIBLES LAS PIEZAS PARA PRODUCTOS DISCONTINUADOS, OBSOLETOS Y DETERMINADOS. POR RAZONES DE SEGURIDAD, MUCHOS COMPONENTES ELECTRÓNICOS Y LA MAYORÍA DE LOS COMPONENTES DE CALENTADORES NO ESTÁN DISPONIBLES PARA LOS CONSUMIDORES PARA SU INSTALACIÓN O REEMPLAZO.