



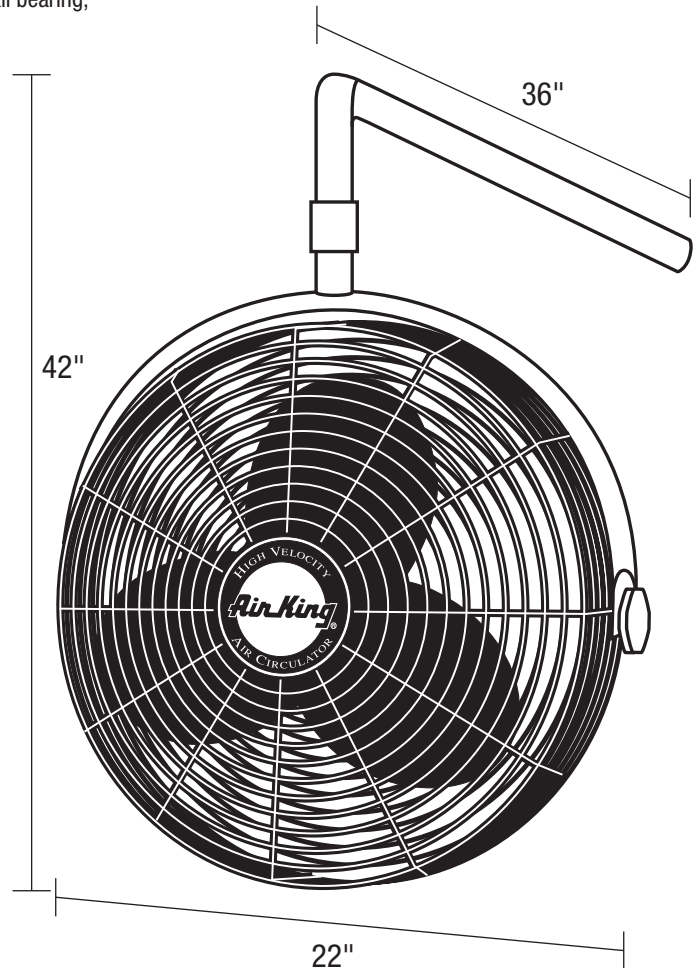
SPECIFICATIONS

**9520**

INDUSTRIAL FANS

**20" I-Beam Mount Fan**

- **Motor**  
3-speed, 1/6 HP, 120V, 1 phase, totally enclosed, ball bearing, permanently lubricated, permanent split capacitor
- **Controls**  
Rear mounted pull cord switch
- **Power Cord**  
Black, 9', 3-conductor, S type
- **Coating**  
Blade, Guard, and Mounts are powder coated steel
- **Compliance**  
ETL, OSHA
- **Product Dimensions**  
36"L x 22"W x 42"H
- **Shipping Information**  
UPC: 0-46013-39650-1  
Shipping Weight: 47.6 lbs.



MODEL	CFM			RPM			AMPS			WATTS			DB A		
	HIGH	MED	LOW	HIGH	MED	LOW	HIGH	MED	LOW	HIGH	MED	LOW	HIGH	MED	LOW
9520	3670	3330	2940	1500	1310	1050	1.6	1.3	1.1	184	155	130	62	55	48



**U.S.:** 820 Lincoln Drive  
West Chester, Pennsylvania 19380-4466  
Tel: (610) 692-7400 • 877-304-3785  
Fax: (610) 696-8048