



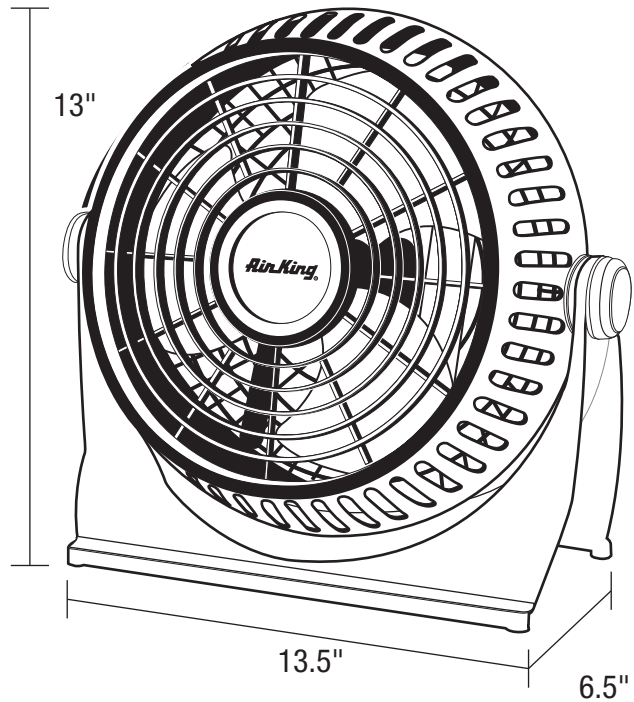
SPECIFICATIONS

9525

COMMERCIAL FANS

**9" Pivot Fan
120 Volts, 60 hz.**

- **Grilles/Guards**
Impact resistant plastic
- **Motor**
2-speed, 1/100 HP, 120V, 1 phase, permanently lubricated, permanent split capacitor
- **Fan Blade**
Chemical resistant polypropylene blade
- **Cord**
Black, 6', 3-conductor, SPT type
- **Switch**
2-speed, rear mounted rotary switch
- **Product Dimensions**
13.5"L x 6.5"W x 13"H
- **Shipping Information**
UPC: 0-46013-39140-7
Shipping Weight: 3.9 lbs.



MODEL	CFM		RPM		AMPS		WATTS		DB A	
	HIGH	LOW	HIGH	LOW	HIGH	LOW	HIGH	LOW	HIGH	LOW
9525	435	365	2235	1775	0.44	0.32	28	20	45	35



U.S.: 820 Lincoln Drive
West Chester, Pennsylvania 19380-4466
Tel: (610) 692-7400 • 877-304-3785
Fax: (610) 696-8048