



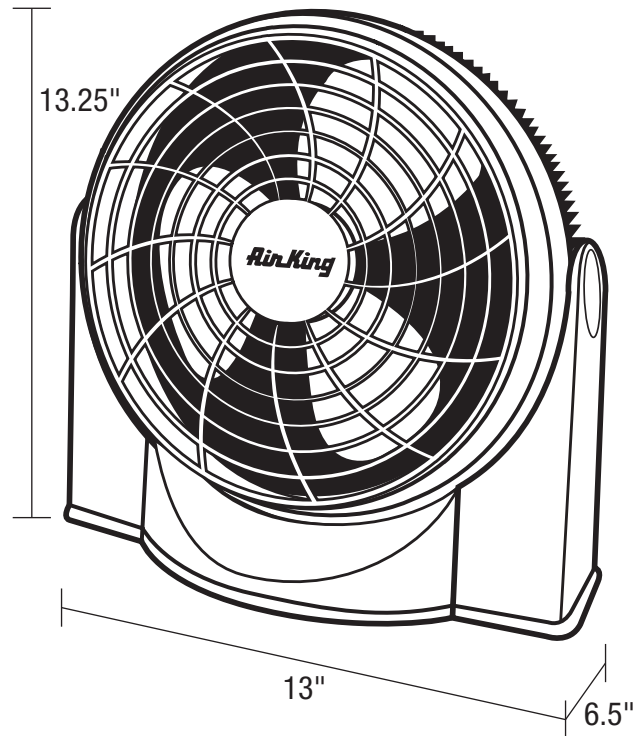
SPECIFICATIONS

9530

COMMERCIAL FANS

**9" High Performance Pivot Fan
120 Volts, 60 hz.**

- **Grilles/Guards**
Impact resistant plastic
- **Motor**
3-speed, 1/50 HP, 120V, 1 phase, permanently lubricated, permanent split capacitor
- **Fan Blade**
Chemical resistant polypropylene blade
- **Cord**
Black, 6', 3-conductor, SPT type
- **Switch**
3-speed, rear mounted rotary switch
- **Product Dimensions**
13"L x 6.5"W x 13.25"H
- **Shipping Information**
UPC: 0-46013-39320-3
Shipping Weight: 4.6 lbs.



MODEL	CFM			RPM			AMPS			WATTS			DB A		
	HIGH	MED	LOW	HIGH	MED	LOW	HIGH	MED	LOW	HIGH	MED	LOW	HIGH	MED	LOW
9530	700	610	520	2100	1800	1500	0.50	0.43	0.37	58	51	45	54	50	46



U.S.: 820 Lincoln Drive
West Chester, Pennsylvania 19380-4466
Tel: (610) 692-7400 • 877-304-3785
Fax: (610) 696-8048