



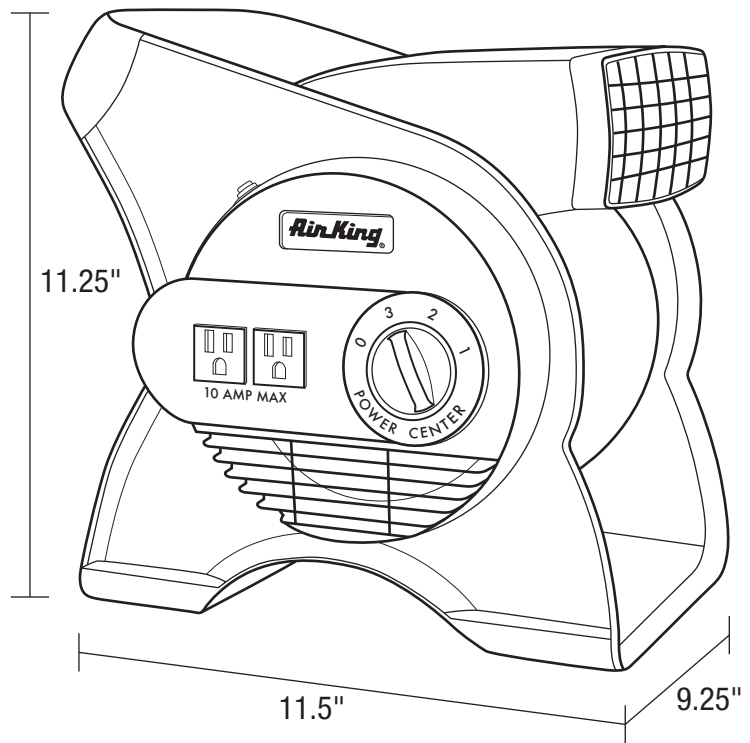
SPECIFICATIONS

9550

COMMERCIAL FANS

**Pivoting Utility
Blower**

- **Motor**
3-speed, 1/16 HP, 120V, 1 phase, ball bearing, permanently lubricated, permanent split capacitor
- **Fan Blade**
6" x 6" blower wheel
- **Controls**
Side mounted rotary dial switch
- **Power Cord**
Black, 7', 3-conductor SO type
- **Outlets**
Two 120 Volt outlets protected by a 10 amp resettable breaker
- **Pivoting Head**
Fan head pivots 225°
- **Construction**
Molded ABS Plastic
- **Compliance**
ETL, OSHA
- **Product Dimensions**
11.5"L x 9.25"W x 11.25"H
- **Shipping Information**
UPC: 0-46013-39840-6
Shipping Weight: 10.1 lbs.



MODEL	CFM			RPM			AMPS			WATTS			DB A		
	HIGH	MED	LOW	HIGH	MED	LOW	HIGH	MED	LOW	HIGH	MED	LOW	HIGH	MED	LOW
9550	310	260	190	1380	1230	1010	0.65	0.55	0.50	80	70	60	60	59	53



U.S.: 820 Lincoln Drive
West Chester, Pennsylvania 19380-4466
Tel: (610) 692-7400 • 877-304-3785
Fax: (610) 696-8048