

# OPERATING INSTRUCTIONS & PARTS MANUAL



## HIGH VELOCITY I-BEAM MOUNT FAN 18" (45.7 cm) MODEL 9618

### READ AND SAVE THESE INSTRUCTIONS

READ CAREFULLY BEFORE ATTEMPTING TO ASSEMBLE, INSTALL, OPERATE OR MAINTAIN THE PRODUCT DESCRIBED. PROTECT YOURSELF AND OTHERS BY OBSERVING ALL SAFETY INFORMATION. FAILURE TO COMPLY WITH INSTRUCTIONS COULD RESULT IN PERSONAL INJURY AND/OR PROPERTY DAMAGE!

RETAIN INSTRUCTIONS FOR FUTURE REFERENCE.

### DESCRIPTION

The AirKing 18" (45.7 cm) I-Beam Mount Fan features Pull Cord operation and a 3-paddle Fan Blade. This Fan has a permanently lubricated motor with a 9 ft (2.74 m) 18/3 cord set and are constructed of sturdy, powder coated steel.

### SPECIFICATIONS

Motor ..... 120 V, 50/60 Hz  
 Blade diameter ..... 18" (45.7 cm) Model 9618  
 Speeds ..... 3  
 Control ..... Pull Cord  
 Air flow distribution ..... 360°  
 Approvals ..... UL Listed. Close mesh Fan guard meets OSHA requirements.

MODEL	9618		
SPEED	HIGH	MED	LOW
CFM	5350	4180	3010
M <sup>3</sup> /s	2.52	1.97	1.42
RPM	1600	1275	950
Amps	1.65	1.27	.95
Watts	194	148	110
dB A	67	58	49

**WARNING: TO REDUCE THE RISK OF FIRE OR ELECTRIC SHOCK, DO NOT USE THIS FAN WITH ANY SOLID STATE SPEED CONTROL DEVICE.**

**CAUTION: BECAUSE OF SIZE AND WEIGHT OF THIS FAN, MAKE SURE ALL PARTS ARE COMPLETELY ASSEMBLED ACCORDING TO INSTRUCTIONS. FAILURE TO DO SO COULD RESULT IN FAN COMING APART DURING OPERATION AND/OR PERSONAL INJURY.**

7. Be sure Fan is mounted to a stable surface when operating.
8. DO NOT mount Fan near windows or bay doors. Rain may create an electrical hazard.
9. Completely reassemble Fan, according to instructions before reconnecting to power supply.

### I-BEAM MOUNT INSTALLATION

1. Locate the L-shaped pipe to the desired location on the I-Beam flange. Install the 5/16 x 2" U-Bolt over the pipe and through the clamping plate holes. The flat part of the clamping plate sits on the I-Beam flange and the end with the slight bend goes against the pipe. Install flat washers, lock washers and nuts. Finger tighten the nuts on the U-Bolt. (**Figure 1**)
2. Slide the clamping plates onto I-Beam flange until U-Bolts contact flange.
3. Adjust L-shaped pipe so forward clamp plate is as close to the label at the bend as possible.
4. Tighten nuts on bolt so pipe does not move.
5. Screw on the adapter mount as far as it will go onto the L-shaped pipe. Tighten set screw in pipe coupling with Allen Key provided.
6. Tighten Bolt on Fan Mount after positioning fan to desired position.

### GENERAL SAFETY INFORMATION

1. Make certain that the power source conforms to the electrical requirements of the Fan.
2. The power cord is equipped with a three-prong grounded plug that must be inserted into a matching receptacle. Under no circumstances must the grounding prong be cut off the plug. Where a two-prong wall receptacle is encountered, it must be replaced with a properly grounded three-prong receptacle installed in accordance with the National Electrical Code (NEC) and all applicable local codes and ordinances. This work must be done only by a qualified electrician, using copper wire only.

**WARNING: USE OF A THREE-PRONG TO TWO-PRONG ADAPTER IS NOT RECOMMENDED. IMPROPER CONNECTION MAY CREATE THE RISK OF ELECTROCUTION. USE OF SUCH ADAPTERS ARE NOT PERMITTED IN CANADA.**

3. Where possible, avoid the use of extension cords. If they must be used, minimize the risk of overheating by ensuring that they are UL listed and of the proper gage and length. Never use a single extension cord to operate more than one fan.
4. Do not insert fingers or foreign objects into the fan. Do not block or tamper with the fan in any manner while it is in operation. Do not touch the fan while in operation or just after it has been turned off, as some parts may be hot enough to cause injury.
5. Unplug power cord before installing or servicing the fan.

**WARNING: DO NOT DEPEND UPON THE ON-OFF SWITCH AS THE SOLE MEANS OF DISCONNECTING POWER WHEN INSTALLING OR SERVICING THE FAN. ALWAYS UNPLUG THE POWER CORD.**

6. This fan is intended for general use ONLY. It must NOT be used in potentially dangerous locations such as flammable, explosive, chemical-laden or wet atmospheres.

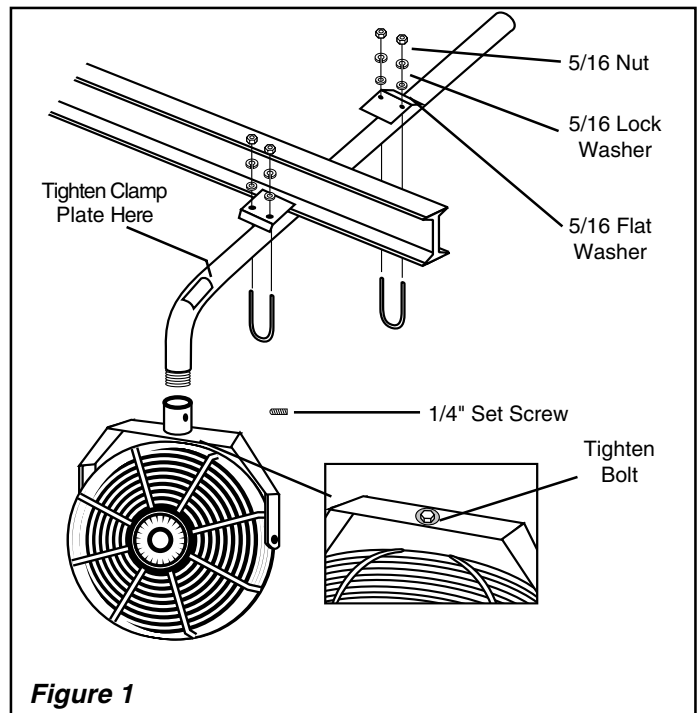


Figure 1

# MODEL 9618

**CAUTION: THE SECONDARY SUPPORT CABLE PROVIDED SHOULD BE USED ANYTIME THE CIRCULATOR IS MOUNTED OVERHEAD FOR ADDITIONAL SAFETY.**

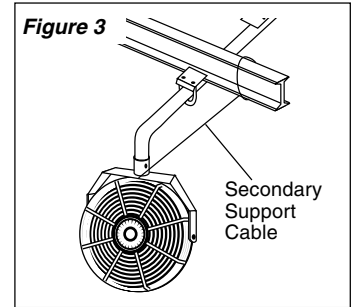
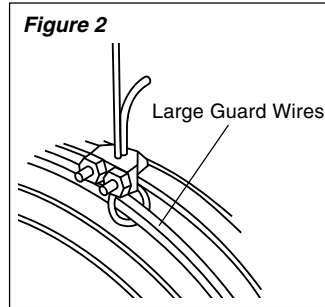
## SECONDARY SUPPORT CABLE

1. Loop one end of Cable around the Large Diameter Wires of both the Front and Rear Circulator Guard. *(Figure 2)*
2. Attach a Cable Clamp with the "U" on the tail side of the loop leaving a tail approximately 1 to 2 inches. Tighten Clamp Nuts. Make sure no part of the Cable interferes with the Blade. *(Figure 2)*
3. Wrap the other end of the Cable around a secure building joist, truss, I-beam or other support near the Fan. Do not attach cable to I-beam mount pipe. *(Figure 3)* Take up all excess slack in the Cable.

**CAUTION: USE ONLY THE MOUNTING HARDWARE WHICH IS RECOMMENDED FOR USE ON THIS FAN.**

4. Attach the remaining Cable Clamp as indicated in *Step 2*. The excess tail should be trimmed to extend 1 to 2 inches past the Clamp.
5. Check the Assembly to assure the Blade is free of all obstructions.

**CAUTION: USE OF THE SECONDARY SUPPORT CABLE DOES NOT GUARANTEE PROTECTION AGAINST INJURY OF PERSONS, MOUNTING OF BOTH THE CIRCULATOR AND CABLE COULD FAIL IF SUBJECTED TO ABUSE, NEGLIGENCE OR IMPROPER INSTALLATION.**



## OPERATION

1. Plug the power cord into a properly grounded three-prong receptacle.
2. Using the Pull Cord Switch, set the desired Fan Speed.
3. **WARNING:** This fan should be used only in a clean, dry environment. Mounting of this product in any way other than specified in the instruction sheet will null and void the manufacturers warranty.

## MAINTENANCE

**WARNING: ALWAYS UNPLUG CORD BEFORE SERVICING.**

**CLEANING:** Use a soft cloth and a mild soap solution such as liquid dish washing detergent.

**CAUTION: Do not use gasoline, benzine, thinner, harsh cleaners, etc. which will damage the Fan.**

Dry all parts with a soft cloth completely before reconnecting to power supply.

**STORAGE:** When not in use, keep unit in a clean dry place.

**MOTOR IS PERMANENTLY LUBRICATED.**

## PART BAG

Description	Qty.
5/16 x 2" U-Bolt	2
Clamp Plate	2
5/16-13 Nut	4
5/16 Lock Washer	4
5/16 Flat Washer	4
1/4-20 x 1/2 Set Screw	1
Secondary Support Kit	1
Allen Key	1

## LIMITED WARRANTY

**SHOULD ACCESSORY PARTS BE NEEDED, CONTACT THE MANUFACTURER FOR IN-WARRANTY REPLACEMENT PARTS. A COPY OF PROOF-OF-PURCHASE MUST BE INCLUDED ALONG WITH THE TYPE AND STYLE, WHICH IS LOCATED ON THE BOTTOM OF YOUR APPLIANCE.**

This product is warranted for one year from the date of original purchase against defects in workmanship and/or materials. At option, parts that prove to be defective will either be repaired or replaced or the whole product will be replaced.

Should electrical or mechanical repair become necessary during the warranty period, send your complete product, postage or freight pre-paid to the nearest service center. Call the number below for the service station nearest you.

Should a part need replacement, you must give us the type and style of your appliance. You will find this at the bottom of the appliance. In either case, a copy of your proof of purchase is requested.

This warranty does not apply if the damage occurs because of accident, improper handling or operation, shipping damage, abuse, misuse, unauthorized repairs made or attempted, or the use of the product for commercial service.

**ALL WARRANTIES, EXPRESSED OR IMPLIED, LAST FOR ONE YEAR FROM THE DATE OF ORIGINAL PURCHASE. THIS WARRANTY DOES NOT COVER LIABILITY FOR INCIDENTAL OR CONSEQUENTIAL DAMAGES FOR ANY CAUSE WHATSOEVER.**

Some states do not allow limitations on how long any implied warranty lasts, or the exclusion or limitation of incidental or consequential damages, so that the above limitations and exclusions may not apply to you. This warranty gives you specific legal rights. You may also have other rights which vary from state to state.

## FOR PARTS:

Check package contents. If parts are missing, or replacement parts required, please call our PARTS DEPARTMENT TOLL-FREE AT 1-800-966-2028. MONDAY THROUGH FRIDAY, BETWEEN THE HOURS OF 8 AM AND 4 PM EST. "PLEASE DO NOT RETURN PRODUCT TO PLACE OF PURCHASE." Reference the type and style of product (located on the underside of the product) when you call.

## FOR TECHNICAL ASSISTANCE and SERVICE CENTER LOCATIONS:

For any questions, comments or the location of your nearest service center, PLEASE CALL OUR TOLL-FREE "HOTLINE" AT 1-800-233-0268. MONDAY THROUGH FRIDAY, BETWEEN THE HOURS OF 8 AM AND 5 PM EST. Please reference product name and model no. when you call.

Appliance Service Dept. • P.O. Box 569 Franklin, TN 37065-0569 **PLEASE DO NOT SEND PRODUCT TO THIS LOCATION!**