



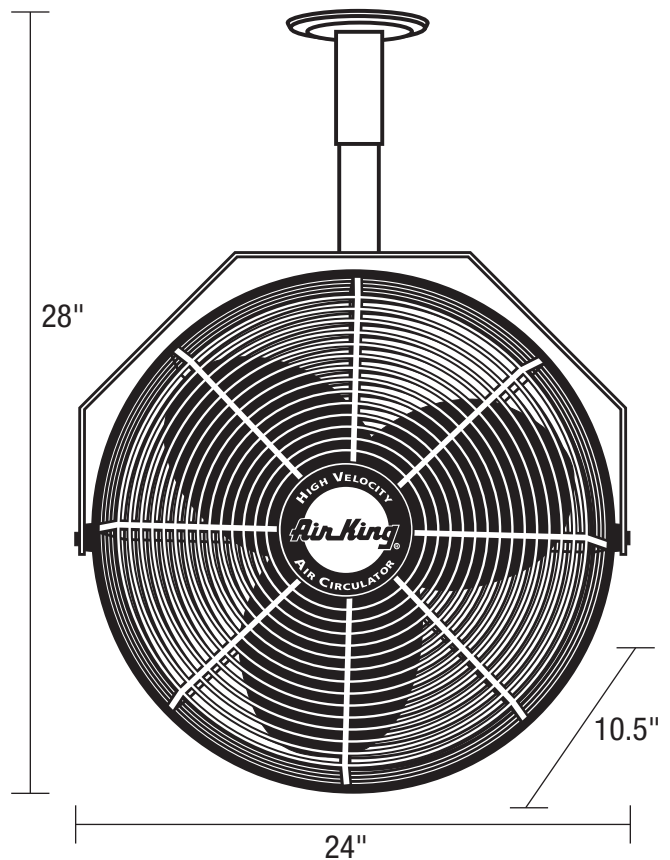
SPECIFICATIONS

9718

INDUSTRIAL FANS

18" Ceiling Mount Fan

- **Motor**
3-speed, 1/6 HP, 120V, 1 phase, totally enclosed, ball bearing, permanently lubricated, permanent split capacitor
- **Controls**
Rear mounted pull cord switch
- **Power Cord**
Black, 9', 3-conductor, S type
- **Coating**
Blade, Guard, and Mounts are powder coated steel
- **Compliance**
ETL, OSHA
- **Product Dimensions**
24"L x 10.5"W x 28"H
- **Shipping Information**
UPC: 0-46013-38830-8
Shipping Weight: 23.1 lbs.



| MODEL | CFM | | | RPM | | | AMPS | | | WATTS | | | DB A | | |
|-------------|------|------|------|------|------|------|------|-----|-----|-------|-----|-----|------|-----|-----|
| | HIGH | MED | LOW | HIGH | MED | LOW | HIGH | MED | LOW | HIGH | MED | LOW | HIGH | MED | LOW |
| 9718 | 3190 | 2970 | 2660 | 1500 | 1300 | 1100 | 1.5 | 1.3 | 1.0 | 180 | 150 | 125 | 67 | 58 | 49 |



U.S.: 820 Lincoln Drive
West Chester, Pennsylvania 19380-4466
Tel: (610) 692-7400 • 877-304-3785
Fax: (610) 696-8048