



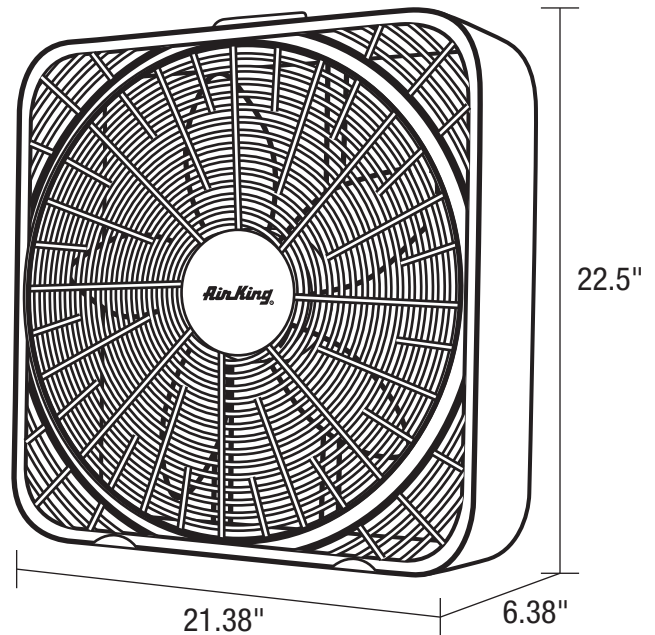
SPECIFICATIONS

9723

COMMERCIAL FAN

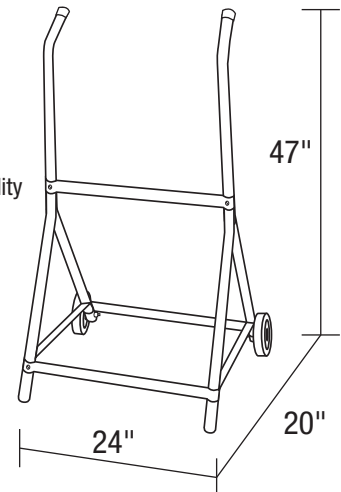
20" Commercial Grade Box Fan

- **Motor**
3-speed, 1/25 HP, 120V, 1 phase, permanently lubricated, permanent split capacitor
- **Controls**
Top mounted rotary switch
- **Power Cord**
White, 6', 3-conductor, 18 AWG
- **Construction**
Steel body with impact resistant plastic grills and chemical resistant polypropylene blade
- **Blade Size**
20"
- **Compliance**
ETL, OSHA
- **Product Dimensions**
21.38"L x 6.38"W x 22.5"H
- **Shipping Information**
UPC: 0-46013-39110-0
Shipping Weight: 11.4 lbs.



Roll About Fan Stand (available separately)

- **Construction**
Gray powder coated steel with 4" diameter wheels for mobility
- **Height**
Fan can be mounted at either 26" or 28" off the floor
- **Product Dimensions**
24"L x 20"W x 47"H
- **Shipping Information**
UPC: 0-46013-39100-1
Shipping Weight: 6.05 lbs.



MODEL	CFM			RPM			AMPS			WATTS			DB A		
	HIGH	MED	LOW	HIGH	MED	LOW	HIGH	MED	LOW	HIGH	MED	LOW	HIGH	MED	LOW
9723	2163	1900	1463	1220	1075	855	.94	.72	.56	105	87	65	60	55	51



U.S.: 820 Lincoln Drive
West Chester, Pennsylvania 19380-4466
Tel: (610) 692-7400 • 877-304-3785
Fax: (610) 696-8048