



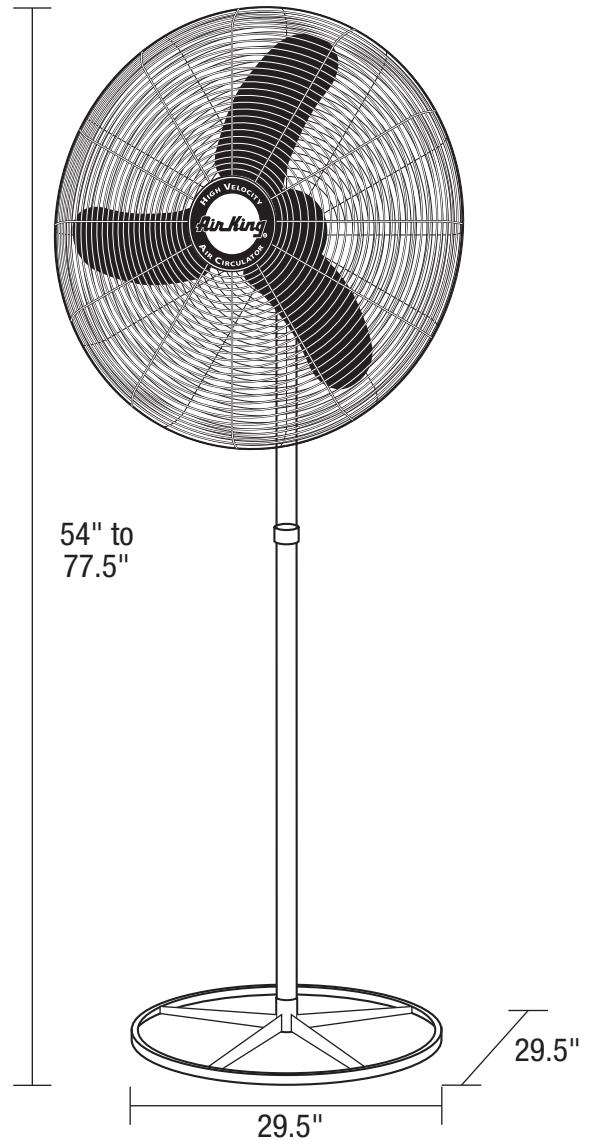
SPECIFICATIONS

**99533**

INDUSTRIAL FANS

**24" Quiet, Oscillating  
Pedestal Fan**

- **Motor**  
3-speed, 1/4 HP, 120V, 1 phase, totally enclosed, ball bearing, permanently lubricated, permanent split capacitor
- **Controls**  
Rear mounted pull cord switch
- **Power Cord**  
Black, 10', 3-conductor, S type
- **Coating**  
Blade, Guard, and Mounts are powder coated steel
- **Compliance**  
ETL, OSHA
- **Height**  
Adjustable from 54" to 77.5"
- **Oscillation**  
90°
- **Product Dimensions**  
29.5"L x 29.5"W x 77.5"H
- **Shipping Information**  
UPC: 0-46013-39515-3  
Shipping Weight: 66.4 lbs.



MODEL	CFM			RPM			AMPS			WATTS			DB A		
	HIGH	MED	QUIET	HIGH	MED	QUIET	HIGH	MED	QUIET	HIGH	MED	QUIET	HIGH	MED	QUIET
<b>99533</b>	5030	4320	2280	1025	880	480	2.0	1.6	0.6	250	190	70	69	65	48



**U.S.:** 820 Lincoln Drive  
West Chester, Pennsylvania 19380-4466  
Tel: (610) 692-7400 • 877-304-3785  
Fax: (610) 696-8048