



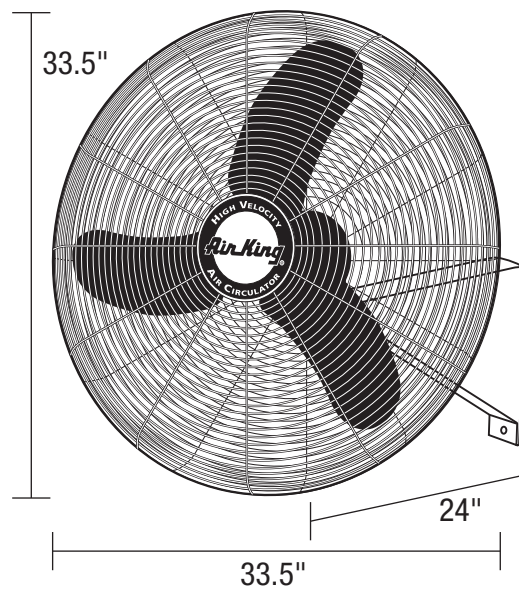
SPECIFICATIONS

99538

INDUSTRIAL FANS

**30" Quiet, Oscillating
Wall Mount Fan**

- **Motor**
3-speed, 1/4 HP, 120V, 1 phase, totally enclosed, ball bearing, permanently lubricated, permanent split capacitor
- **Controls**
Rear mounted pull cord switch
- **Power Cord**
Black, 10', 3-conductor, S type
- **Coating**
Blade, Guard, and Mounts are powder coated steel
- **Compliance**
ETL, OSHA
- **Oscillation**
90°
- **Product Dimensions**
33.5"L x 24"W x 33.5"H
- **Shipping Information**
UPC: 0-46013-39555-9
Shipping Weight: 53.5 lbs.



MODEL	CFM			RPM			AMPS			WATTS			DB A		
	HIGH	MED	QUIET	HIGH	MED	QUIET	HIGH	MED	QUIET	HIGH	MED	QUIET	HIGH	MED	QUIET
99538	7450	6090	3450	1010	860	530	2.2	1.6	0.6	245	185	70	68	64	50



U.S.: 820 Lincoln Drive
West Chester, Pennsylvania 19380-4466
Tel: (610) 692-7400 • 877-304-3785
Fax: (610) 696-8048