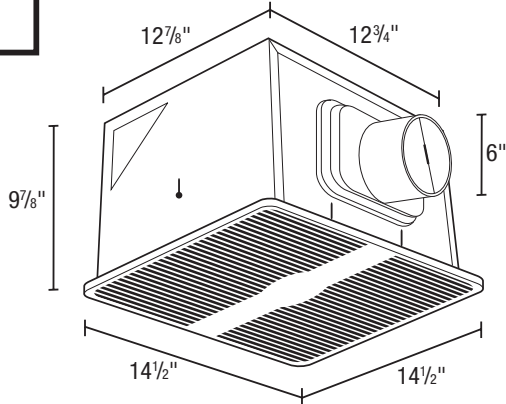




SPECIFICATIONS  
**AK150LS**  
 EXHAUST FANS

**HVI 2100 CERTIFIED**    **150 CFM/0.9 Sones @ 0.10" SP.**  
**118 CFM @ 0.25 SP.**



- **Grill**  
White, polymeric grill secured in place with torsion springs; easily removed if necessary, dimensions - 14½" x 14½".
- **Blower Wheel**  
Balanced polymeric dual inlet blower wheel 6" dia. x 5⅝" depth, 59 paddles, secured in place using 8M hex nut.
- **Motor**  
Enclosed 4 pole high efficiency, permanently split capacitor motor (PSC); life time lubrication, suitable for continuous operation. Motor bearings - ball. Rated 115/120 volts, 60 Hz.
- **Fan Housing**  
23 gauge galvanized steel housing.  
Overall dimensions: 12⅞" x 12¾" x 9⅞".
- **Duct Collar**  
6" round, zinc plated metal collar adapter. Gasketed, spring loaded aluminum backdraft damper.
- **Ventilating Area**  
For bathrooms up to 150 sq. ft. For other rooms up to 185 sq. ft.
- **Electrical Connections**  
½" electrical knockouts provided. Easy wiring access via either internal or external wiring compartment cover.
- **Single Pack Shipping Info**  
Box Dim: 20" x 16" x 11¼"  
UPC: 0-8316221502-4  
Shipping Weight: 14.6 lbs.

Acceptable for use over tub or shower when installed in a GFCI protected branch circuit.



- **Unit Mounting**  
The housing will mount through drywall thickness up to ¾", with a rough-in opening of 12⅞" x 13". The housing will mount either between 16" or 24" on center joists, using the 2 supplied housing mounting brackets. The housing mounting brackets can be adapted for overhead mounting (hardware not provided).

EXPANDED PERFORMANCE											
	Static Pressure (inches of w.g.)							Sones @ .1 SP	Fan Speed RPM	Maximum Fan Watts	Amps
	0	0.05	0.1	0.15	0.2	0.25	0.375				
<b>Air Flow - CFM</b>	169	159	150	140	129	118	76	0.9	845	37.0	0.3

<b>PROJECT</b>							<b>ARCHITECT</b>				
<b>LOCATION</b>							<b>ENGINEER</b>				
<b>CONTRACTOR</b>							<b>SUBMITTED BY</b>			<b>DATE</b>	
FAN NUMBER	MODEL NUMBER	CFM	IN W.G.	RPM	WATTS	AMPS	SONES	QTY	OPTIONAL EQUIPMENT & REMARKS		



**U.S.:** 820 Lincoln Avenue  
 West Chester, Pennsylvania 19380-4466  
 Tel: (610) 692-7400 • 877-304-3785  
 Fax: (610) 696-8048

**Canada:**  
 Bolton, Ontario  
 Tel: 905-456-2033