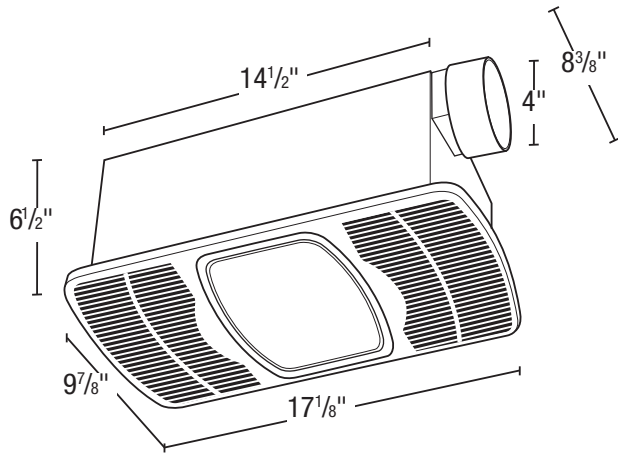




SPECIFICATIONS
AK965L
HEATER WITH EXHAUST FAN

70 CFM/3.5 Sones @ 0.10" SP.

- Grill**
 White, polymeric grill (flame retardant ABS UL rated 94-5V) secured in place using 2 hex nuts that can be easily removed if necessary, dimensions - 17¹/₈" x 9⁷/₈".
- Light Lens**
 Moonstone glass lens, installed in a flip down lens holder. Secured in place using integral tabs.
- Blower Wheel**
 Heater blower wheel - one piece metal electronically balanced, 3⁵/₈" x 2" with 28 fins.
 Ventilation blower wheel - one piece polymeric electronically balanced, 3⁷/₈" x 2¹/₂" with 21 fins.
- Motors**
 Heater motor - Heavy duty, plug in 2 pole motor. Life time lubrication, thermally protected.
 Rated 120 volts, 60 hz.
 Ventilation motor - Heavy duty, plug in 2 pole motor. Life time lubrication, thermally protected.
 Rated 120 volts, 60 hz.
- Heater Housing**
 23 gauge galvanized steel housing. Dimensions 14¹/₂" x 9¹/₈" x 7¹/₈".
- Heating Element**
 Wire coil, secured in place by ceramic "J" shaped hooks and terminated by bolt and nut in cylindrical standoffs. Housed in an all metal enclosure. Rated 1500 watts - 5120 BTU.
- Duct**
 4" round, zinc plated metal collar adapter with aluminum backdraft damper.



- Ventilating Area**
 For bathrooms up to 70 sq. ft. For other rooms up to 85 sq. ft.
- Lamping Information** (lamps not included)
 Main Lighting: 100 Watt maximum type A19 incandescent or 26 Watt maximum, medium base self ballasted lamp.
 Night Lighting: 7 watt maximum, type C7, candelabra base bulb.
- Unit Mounting**
 Designed for ceilings insulated to R-40. Designed to mount in ceilings with at least 7¹/₂" of clearance. The unit will mount between joists (with 16" centers) or butted up against a joist. The housing will mount through drywall thickness up to 3/4", with a rough in opening of 14³/₄" x 8⁵/₈".
- Single Pack Shipping Info**
 Box Dim: 21¹/₂" x 11¹/₂" x 9¹/₂"
 UPC: 0-8316290039-5
 Shipping Weight: 16.09 lbs.

EXPANDED PERFORMANCE											
	Static Pressure (inches of w.g.)							Sones @ .1 SP	Fan Speed RPM	Maximum Fan Watts	Amps
	0	0.05	0.1	0.15	0.2	0.25	0.3				
Air Flow - CFM	77	74	70	68	65	61	57	3.5	2450	51.0	14.2

PROJECT							ARCHITECT				
LOCATION							ENGINEER				
CONTRACTOR							SUBMITTED BY				DATE
FAN NUMBER	MODEL NUMBER	CFM	IN W.G.	RPM	WATTS	AMPS	SONES	QTY	OPTIONAL EQUIPMENT & REMARKS		



U.S.: 820 Lincoln Avenue
 West Chester, Pennsylvania 19380-4466
 Tel: (610) 692-7400 • 877-304-3785
 Fax: (610) 696-8048

Canada:
 Bolton, Ontario
 Tel: 905-456-2033