

IMPORTANT INSTRUCTIONS - OPERATING MANUAL

BFQ, BFQW Series



Exhaust Fan



READ AND SAVE THESE INSTRUCTIONS

READ CAREFULLY BEFORE ATTEMPTING TO ASSEMBLE, INSTALL, OPERATE OR MAINTAIN THE PRODUCT DESCRIBED. PROTECT YOURSELF AND OTHERS BY OBSERVING ALL SAFETY INFORMATION. FAILURE TO COMPLY WITH INSTRUCTIONS COULD RESULT IN PERSONAL INJURY AND/OR PROPERTY DAMAGE!



RETAIN INSTRUCTIONS FOR FUTURE REFERENCE.

GENERAL SAFETY INFORMATION

When using electrical appliances, basic precautions should always be followed to reduce the risk of fire, electric shock and injury to person, including the following:



WARNING: TO REDUCE THE RISK OF FIRE, ELECTRIC SHOCK AND INJURY TO PERSON, OBSERVE THE FOLLOWING:

- a) Use this unit only in the manner intended by the manufacturer. If you have questions, contact the manufacturer.
- b) Before servicing or cleaning the unit, switch power off at service panel and lock the service disconnecting means to prevent power from being switched on accidentally. When the service disconnecting means cannot be locked, securely fasten a prominent warning device, such as a tag, to the service panel.



WARNING: TO REDUCE THE RISK OF FIRE, ELECTRIC SHOCK AND INJURY TO PERSON, OBSERVE THE FOLLOWING:

- a) Installation work and electrical wiring must be done by qualified person(s) in accordance with all applicable codes and standards, including fire-related construction.
- b) Sufficient air is needed for proper combustion and exhausting of gases through the flue (chimney) of fuel burning equipment to prevent back drafting. Follow the heating equipment manufacturer's guideline and safety standards such as those published by the National Fire Protection Association (NFPA) and the American Society for Heating, Refrigeration, and Air Conditioning Engineers (ASHRAE), and the local code authorities.
- c) When cutting or drilling into wall or ceiling, do not damage electrical wiring and other hidden utilities.



CAUTION: FOR GENERAL VENTILATING USE ONLY. DO NOT USE TO EXHAUST HAZARDOUS OR EXPLOSIVE MATERIALS AND VAPORS.

- d) Ducted fans must always be vented to the outdoors.
- e) This unit must be grounded.
- f) To avoid motor bearing damage and noisy and/or unbalanced impellers, keep drywall spray, construction dust, etc. off power unit.
- g) Read all instructions before installing or using exhaust fan.



WARNING: TO REDUCE THE RISK OF FIRE, ELECTRIC SHOCK, DO NOT USE THIS FAN WITH ANY SOLID-STATE SPEED CONTROL DEVICE.

- a) If this unit is to be installed over a tub or shower, it must be marked as appropriate for the application and be connected to a GFCI (Ground Fault Circuit Interrupter) – protected branch circuit.
- b) Do not install wall mounted fans inside the shower area.



WARNING: DO NOT USE IN KITCHENS.



WARNING: THE DUCTING FROM THIS FAN TO THE OUTSIDE OF THE BUILDING HAS A STRONG EFFECT ON THE AIR FLOW, NOISE AND ENERGY USE OF THE FAN. USE THE SHORTEST, STRAIGHTEST DUCT ROUTING POSSIBLE FOR BEST PERFORMANCE, AND AVOID INSTALLING THE FAN WITH SMALLER DUCTS THAN RECOMMENDED. INSULATION AROUND THE DUCTS CAN REDUCE ENERGY LOSS AND INHIBIT MOLD GROWTH. FANS INSTALLED WITH EXISTING DUCTS MAY NOT ACHIEVE THEIR RATED AIRFLOW.

SAVE THESE INSTRUCTIONS

INSTALLATION INSTRUCTIONS



CAUTION: MAKE SURE POWER IS SWITCHED OFF AT SERVICE PANEL BEFORE STARTING INSTALLATION.

SECTION 1

Preparing the Exhaust Fan

- Unpack fan from the carton and confirm that all pieces are present. In addition to the exhaust fan you should have:

1 - Grill	1 - Hardware Bag
1 - Damper Assembly (attached)	1 - Electrical Connector
1 - Mounting Bracket	3 - Wire Nuts
1 - Instruction/Safety Sheet	
- Remove the wire compartment cover and store in the carton until needed so it does not get damaged or lost (**Figure 1**).

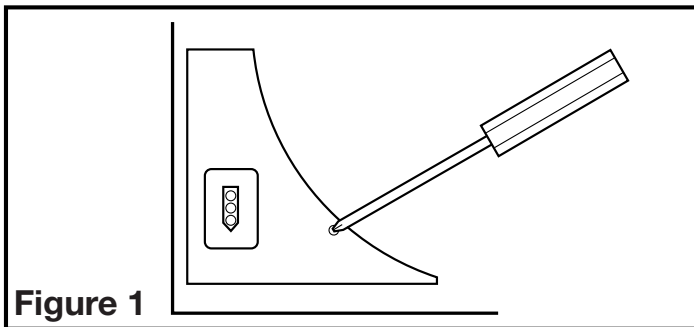


Figure 1

- Choose the location for your fan. To ensure the best air and sound performance, it is recommended that the length of ducting and the number of elbows be kept to a minimum, the radius of each elbow be as large as possible for the installation, and that insulated hard ducting be used. Larger duct sizes will reduce noise and airflow restrictions.
- Select the most convenient electrical knockout and remove using a straight-blade screw driver (**Figure 2**).
- No additional vibration deadening materials are needed for this fan.

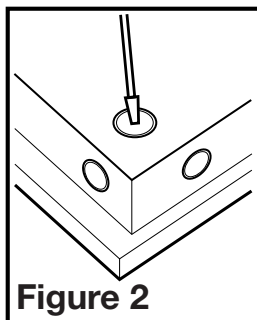


Figure 2

SECTION 2

New Construction - BFQ Models

- Using the gauge on the mounting bracket, line up the bracket on the joist so the bottom of the fan will be flush with the finished ceiling. Nail or screw the bracket in place securely (**Figure 3**).

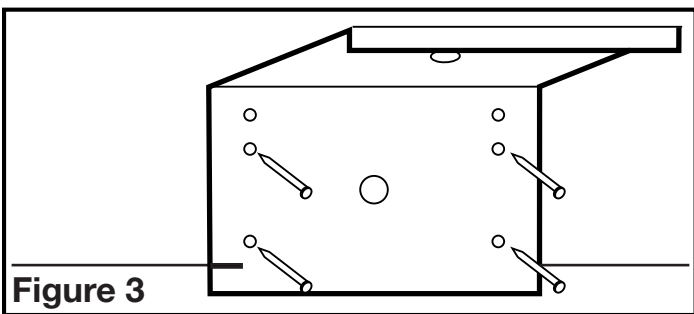


Figure 3

WARNING: PROPER INSTALLATION REQUIRES A MINIMUM OF 4 SCREWS LOCATED IN HOLES CLOSEST TO DRYWALL.

- Snap the fan body into the bracket (**Figure 4**). The fan can be snapped into position with the duct collar facing to the left or the right depending which is most convenient.

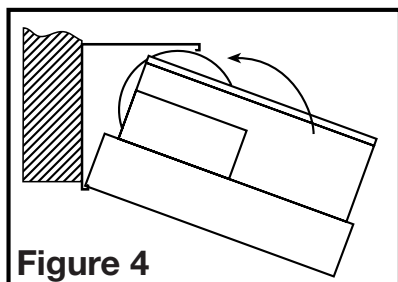


Figure 4

New Construction - BFQW Models (Oval Duct)

- Using the gauge on the bracket, line up the bracket on the side of a wall stud such that the bottom of the fan will be flush with the finished wall. The bracket should sit one drywall thickness forward on the stud (**Figure 5**).

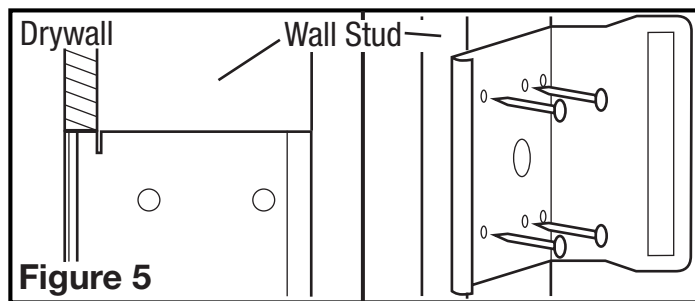


Figure 5

NOTE: For proper damper operation, the duct adaptor must be facing up towards the ceiling.

NOTE: 1/2" minimum thickness drywall must be used for wall mount applications.

- Nail or screw the bracket in place securely.
- Snap the fan body into the bracket, making sure the duct collar is pointing upwards towards the ceiling (**Figure 6**).

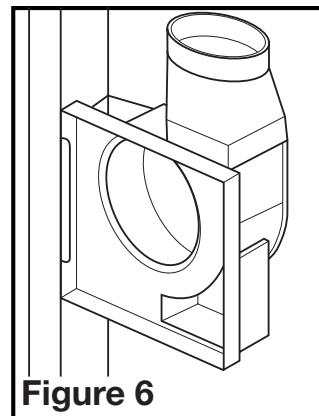


Figure 6

SECTION 3

Existing Construction - BFQ Models

- Position housing against the joist or stud and trace an outline of the housing onto the ceiling/wall material. Set housing aside and cut opening, being careful not to cut or damage any electrical or other hidden utilities (**Figure 7**).
- Line up the bracket on the joist so the bottom of the fan will be flush with the finished ceiling. Nail or screw the snap-in bracket in place securely (**Figure 3**).

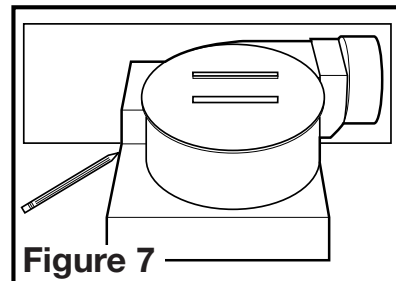


Figure 7

- Snap the fan body into the bracket (**Figure 4**). The fan can be snapped into position with the duct collar facing to the left or the right depending which is most convenient.

Existing Construction - BFQW Models (Oval Duct)

- Remove a section of the wall material large enough for you to fit the fan housing into as well as gain access to the top plate, and have enough space to connect the ducting. This will typically be across two studs and approximately 24" starting at the top of the wall.
- Follow the instructions in **Section 2 - New Constructions - BFQW Models (Oval Duct)** to complete the installation.

NOTE: Wall installation into existing construction will require you to patch the wall material around the unit.

SECTION 4

Ducting

NOTE: 4" OR LARGER RIGID DUCT IS RECOMMENDED FOR BEST PERFORMANCE.

CAUTION: ALL DUCTING MUST COMPLY WITH LOCAL AND NATIONAL BUILDING CODES.

- Connect the ducting to the fan's duct collar (**Figure 8**). Secure in place using tape or screw clamp. Always duct the fan to the outside through a wall or roof cap. It is recommended that low restriction termination fittings be used.

NOTE: For oval duct connection, squeeze standard 4" round rigid ducting to form an oval shape then follow instructions in **Step 1**.

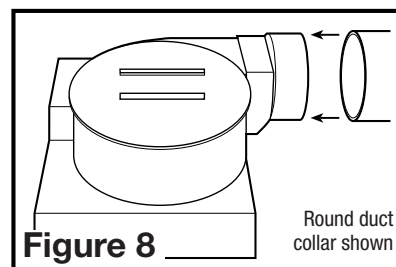


Figure 8

Round duct collar shown

2. Ensure duct joints and exterior penetrations are sealed with caulk or other similar material to create an air-tight path to minimize building heat loss or gain and to reduce the potential for condensation. Place/wrap insulation around duct and/or fan to in order to minimize possible condensation buildup within the duct, as well as building heat loss or gain (Figure 9).

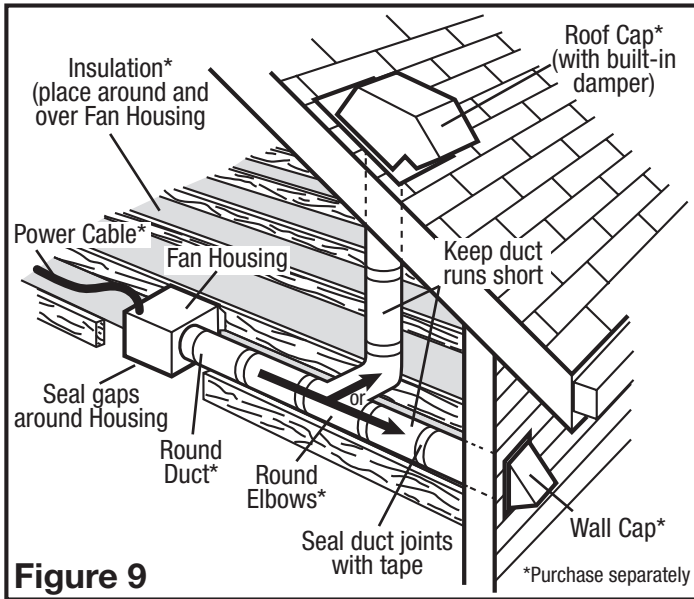


Figure 9

SECTION 5

Wiring



CAUTION: MAKE SURE POWER IS SWITCHED OFF AT SERVICE PANEL BEFORE STARTING INSTALLATION.



CAUTION: ALL ELECTRICAL CONNECTIONS MUST BE MADE IN ACCORDANCE WITH LOCAL CODES, ORDINANCES, OR NATIONAL ELECTRICAL CODE. IF YOU ARE UNFAMILIAR WITH METHODS OF INSTALLING ELECTRICAL WIRING, SECURE THE SERVICES OF A QUALIFIED ELECTRICIAN.

1. Run wiring from an approved wall switch carrying the appropriate rating. One neutral (white), one ground (green or bare copper), and one hot (black lead connected to the switch). Secure the electrical wires to the housing with an approved electrical connector. Make sure you leave enough wiring in the box to make the connection to the fan's receptacle.
2. From where you have access to inside the fan's junction box, connect the White wire from the house to the White wire from the fan's receptacle. Connect the Black wire from the wall switch to the Black wire from the fan's receptacle. Connect the ground wire from the house to the Green wire from the fan's receptacle (Figure 10). Use approved methods for all connections.

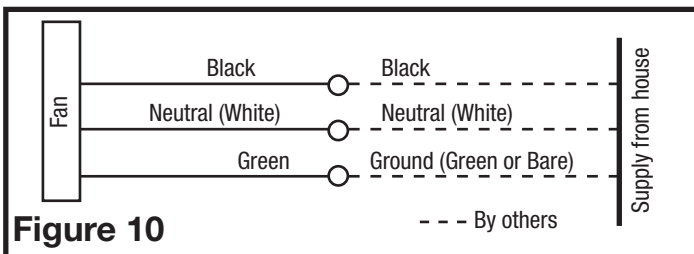


Figure 10

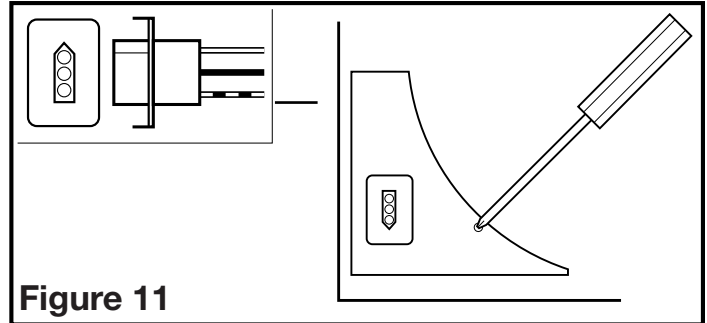
SECTION 6

Completing the Installation

1. Use a sealant appropriate for contact with the building materials present and for the temperature requirements of the installation to prevent air leakage from unconditioned spaces is recommended. If gaps between unit housing and ceiling are great, additional material (backing rod, ceiling material) may be required.

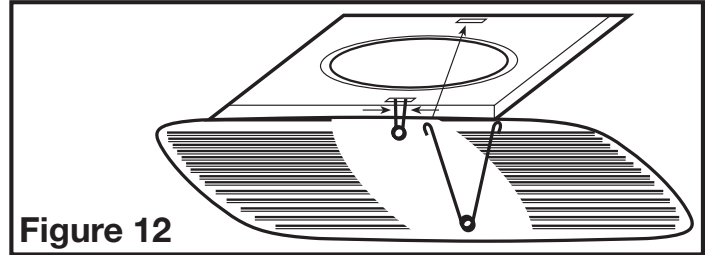
NOTE: This fan is rated for direct insulation contact (Type IC) and it is recommended that this fan be completely covered by insulation in order to reduce heat loss or gain to unconditioned space.

2. Reinstall the fan's wire compartment cover. Rotate the blower wheel by hand to ensure it spins freely. Plug the fan's quick connect motor cord into the receptacle. This cord will only fit one way into the receptacle (Figure 11).



NOTE: If using this fan to meet ASHRAE 62.2 requirements, locate the label inside the fan housing and fill in the appropriate information.

3. Install the grill by squeezing the two ends of the springs together and installing them up into the slots of the fan's housing. Push the grill up into position (Figure 12).



4. Restore power and test your installation.

SECTION 7

Use and Care



CAUTION: MAKE SURE POWER IS SWITCHED OFF AT SERVICE PANEL BEFORE SERVICING THE UNIT.

1. **Cleaning the Grill:** Remove grill and use a mild detergent, such as dishwashing liquid, and dry with a soft cloth. NEVER USE ANY ABRASIVE PADS OR SCOURING POWDERS. Completely dry grill before reinstalling. Refer to instructions in Section 6 *Finishing the Installation*, to reinstall grill.
2. **Cleaning the Fan Assembly:** Unplug the motor cord from receptacle. Wipe all parts with a dry cloth or gently vacuum the fan. NEVER IMMERSE ELECTRICAL PARTS IN WATER. Plug the motor cord back in and restore power.

Troubleshooting Guide

Trouble	Probable Cause	Suggested Remedy
1. Fan does not operate when the switch is on.	1a. A fuse may be blown or a circuit tripped. 1b. Connector plug from motor is not plugged in. 1c. Wiring is not connected properly. 1d. Motor has stopped operating.	1a. Replace fuse or reset circuit breaker. 1b. Turn off power to unit. Remove Grill and plug motor into receptacle in housing. Restore power to unit. 1c. Turn off power to unit. Check that all wires are connected. 1d. Replace motor.
2. Fan is operating, but air moves slower than normal.	2. Obstruction in the exhaust ducting.	2. Check for any obstructions in the ducting. The most common are bird nests in the roof cap or wall cap where the fan exhausts to the outside.
3. Fan is operating louder than normal	3a. Motor is loose. 3b. Fan blade is hitting housing of unit.	3a. Turn off power to unit. Remove grill and check that all screws are fully tightened. Restore power to unit. 3b. Call your dealer for service.

LIMITED WARRANTY

WHAT THIS WARRANTY COVERS: This product is warranted against defects in workmanship and/or materials.

HOW LONG THIS WARRANTY LASTS: This warranty extends only to the original purchaser of the product and lasts for five (5) years from the date of original purchase or until the original purchaser of the product sells or transfers the product, whichever first occurs.

WHAT AIR KING WILL DO: During the warranty period, Air King will, at its sole option, repair or replace any part or parts that prove to be defective or replace the whole product with the same or comparable model.

WHAT THIS WARRANTY DOES NOT COVER: This warranty does not apply if the product was damaged or failed because of accident, improper handling or operation, shipping damage, abuse, misuse, unauthorized repairs made or attempted. This warranty does not cover shipping costs for the return of products to Air King for repair or replacement. Air King will pay return shipping charges from Air King following warranty repairs or replacement.

ANY AND ALL WARRANTIES, EXPRESSED OR IMPLIED (INCLUDING, WITHOUT LIMITATION, ANY IMPLIED WARRANTY OF MERCHANTABILITY), LAST FIVE YEARS FROM THE DATE OF ORIGINAL PURCHASE OR UNTIL THE ORIGINAL PURCHASER OF THE PRODUCT SELLS OR TRANSFERS THE PRODUCT, WHICHEVER FIRST OCCURS AND IN NO EVENT SHALL AIR KING'S LIABILITY UNDER ANY EXPRESS OR IMPLIED WARRANTY INCLUDE (I) INCIDENTAL OR CONSEQUENTIAL DAMAGES FROM ANY CAUSE WHATSOEVER, OR (II) REPLACEMENT OR REPAIR OF ANY HOUSE FUSES, CIRCUIT BREAKERS OR RECEPTACLES. NOTWITHSTANDING ANYTHING TO THE CONTRARY, IN NO EVENT SHALL AIR KING'S LIABILITY UNDER ANY EXPRESS OR IMPLIED WARRANTY EXCEED THE PURCHASE PRICE OF THE PRODUCT AND ANY SUCH LIABILITY SHALL TERMINATE UPON THE EXPIRATION OF THE WARRANTY PERIOD.

Some states and provinces do not allow limitations on how long an implied warranty lasts, or the exclusion or limitation of incidental or consequential damages, so these exclusions or limitations may not apply to you. This warranty gives you specific legal rights. You may also have other rights which vary from state to state and province to province. Proof of purchase is required before a warranty claim will be accepted.

CUSTOMER SERVICE:

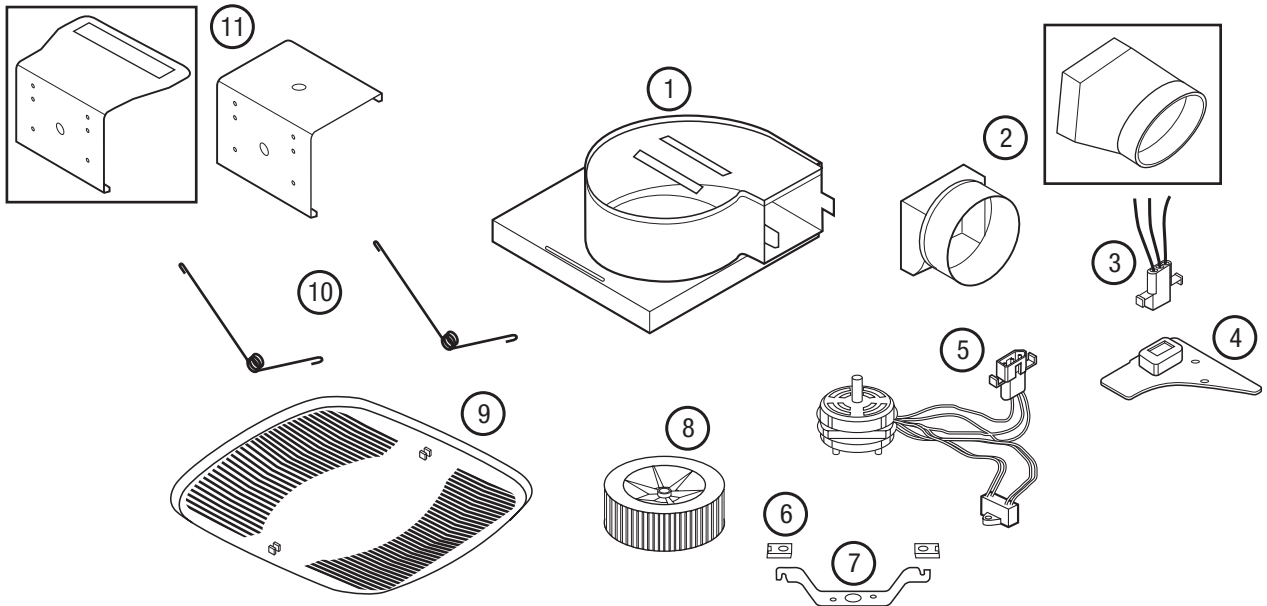
Toll-Free (800) 465-7300

Our Customer Service team is available to assist you with product questions, service center locations, and replacement parts. They can be reached Monday through Friday, 8am-4pm Eastern. Please have your model number available, as well as the type and style (located on the label inside of your product).

Please do not return product to place of purchase.

www.airkinglimited.com

PARTS FOR DISCONTINUED, OBSOLETE AND CERTAIN OTHER PRODUCTS MAY NOT BE AVAILABLE. DUE TO SAFETY REASONS, MANY ELECTRONIC COMPONENTS AND MOST HEATER COMPONENTS ARE NOT AVAILABLE TO CONSUMERS FOR INSTALLATION OR REPLACEMENT.



#	Qty.	Description	Replacement Part #
1	1	Fan Housing	5S2205001
2	1	Damper Assembly - BFQ	5S2299054
	1	Damper Assembly - BFQW	5S2299055
3	1	Receptacle 3P	5S2205004
4	1	Wire Cover	5S2205005
5	1	Motor - BFQ50, BFQ50W	5S2205035
	1	Motor - BFQ60	5S2205036
	1	Motor - BFQ70, BFQ70W	5S2205037
	1	Motor - BFQ75	5S2205037
	1	Motor - BFQ80	5S2205034
	1	Motor - BFQ90	5S2299001

#	Qty.	Description	Replacement Part #
5	1	Motor - BFQ110	5S2205008
	1	Motor - BFQ140	5S2299002
6	2	Clip	5S2205009
7	1	Motor Bracket	5S2299003
8	1	Blower Wheel	5S2299004
9	1	Grill - BFQ	5S2205011
	1	Grill - BFQW	5S2299056
10	2	Grill Springs	5S2205012
	1	Snap In Bracket - BFQ	5S2205013
11	1	Snap In Bracket - BFQW	5S2202057

Installer: _____

Installation Date: _____

Place of Purchase: _____

Model Number: _____

INSTRUCTIONS IMPORTANTES – MODE D'EMPLOI

Série BFQ et BFQW

Air King
Ventilation Products®

Ventilateur d'Évacuation



LIRE ET CONSERVER CES INSTRUCTIONS

LIRE SOIGNEUSEMENT AVANT DE TENTER D'ASSEMBLER, INSTALLER, OPÉRER OU DE RÉPARER LE PRODUIT DÉCRIT. PROTÉGEZ VOUS-MÊME ET LES AUTRES EN OBSERVANT TOUTE L'INFORMATION DE SÉCURITÉ. FAILLIR À SE CONFORMER AUX INSTRUCTIONS PEUT RÉSULTER EN BLESSURE PERSONNELLE GRAVE ET/OU EN DOMMAGE À LA PROPRIÉTÉ.



CONSERVER CES INSTRUCTIONS POUR RÉFÉRENCES FUTURES.

INSTRUCTIONS GÉNÉRALES DE SÉCURITÉ



Lors de l'utilisation d'appareils électriques, des précautions de base doivent toujours être suivies pour réduire les risques d'incendie, de choc électrique et de blessures corporelles, incluant ce qui suit:



AVERTISSEMENT : POUR RÉDUIRE LES RISQUES D'INCENDIE, DE CHOC ÉLECTRIQUE OU DE BLESSURES PERSONNELLES OBSERVER CE QUI SUIT:

- Utiliser cette unité seulement de la manière pour laquelle le fabricant l'a conçu. Si vous aviez des questions, veuillez contacter le fabricant.
- Avant d'effectuer un service ou de nettoyer l'unité, couper l'alimentation électrique dans le panneau de distribution et verrouiller le dispositif de déconnexion afin d'éviter que l'alimentation ne revienne accidentellement. Lorsque le dispositif ne peut être verrouillé, fixer solidement un avis d'avertissement, tel qu'une étiquette, au panneau de distribution.



AVERTISSEMENT : POUR RÉDUIRE LES RISQUES D'INCENDIE, DE CHOC ÉLECTRIQUE OU DE BLESSURES PERSONNELLES OBSERVER CE QUI SUIT:

- Le travail d'installation et le câblage électrique doivent être effectués par une(des) personne(s) qualifiée(s) en conformité avec tous les codes et normes applicables, incluant la construction relative aux incendies.
- De l'air en quantité suffisante est requis pour la bonne combustion et l'évacuation de gaz par le conduit (cheminée) provenant d'équipement de brûlage au combustible pour prévenir un refoulement. Suivre les directives du fabricant de l'équipement de chauffage et les normes de sécurité telles que celles publiées par la National Fire Protection Association (NFPA) et de la American Society for Heating, Refrigeration, and Air Conditioning Engineers (ASHRAE), et de celles des autorités locales du code.
- Lors de coupe ou de perçage des murs et plafonds, ne pas endommager le filage électrique et autres utilités cachées.



ATTENTION : POUR USAGE DE VENTILATION GÉNÉRALE EXCLUSIVEMENT. NE PAS UTILISER POUR ÉVACUER DU MATÉRIEL ET DES VAPEURS DANGEREUSES OU EXPLOSIVES.

- Les ventilateurs avec conduits doivent toujours être évacués vers l'extérieur
- Cette unité doit être mise à la terre
- Pour éviter des dommages aux roulements des moteurs et/ou des hélices bruyantes ou déséquilibrées, empêcher la poussière de cloison sèche, poussière de construction, etc., d'atteindre l'unité de puissance.
- Lire toutes les instructions avant d'installer ou d'utiliser la ventilateur.



AVERTISSEMENT : POUR RÉDUIRE LES RISQUES D'INCENDIE OU DE CHOC ÉLECTRIQUE, NE PAS UTILISER CE VENTILATEUR AVEC UN RÉGULATEUR DE VITESSE ÉLECTRONIQUE.

- Si cet appareil doit être installé au-dessus d'une baignoire ou d'une douche, il doit être marqué comme approprié pour l'application et connecté à un DDFT (disjoncteur différentiel de fuite à la terre) - circuit de dérivation protégé.
- N'installez pas les ventilateurs muraux à l'intérieur de la zone de douche.



AVERTISSEMENT : NE PAS UTILISER DANS LES CUISINES



AVERTISSEMENT : LA CANALISATION DE CE VENTILATEUR À L'EXTÉRIEUR DU BÂTIMENT A UN EFFET IMPORTANT SUR LE FLUX D'AIR, LE BRUIT ET LA CONSOMMATION D'ÉNERGIE DU VENTILATEUR. UTILISEZ LA ROUTE DE CANALISATION LA PLUS COURTE ET LA PLUS DROITE POSSIBLE POUR UNE MEILLEURE PERFORMANCE, ET ÉVITEZ D'INSTALLER LE VENTILATEUR AVEC DES CONDUITS PLUS PETITS QUE RECOMMANDÉ. L'ISOLATION AUTOUR DES CONDUITS PEUT RÉDUIRE LA PERTE D'ÉNERGIE ET EMPÊCHER LE DÉVELOPPEMENT DE MOISSURES. IL SE PEUT QUE LES VENTILATEURS INSTALLÉS AVEC DES CONDUITS EXISTANTS N'ATTEIGNENT PAS LEUR DÉBIT D'AIR NOMINAL.

CONSERVER CES INSTRUCTIONS

INSTRUCTIONS D'INSTALLATION



ATTENTION : VOUS ASSURER QUE L'ALIMENTATION EST COUPÉE AU PANNEAU DE SERVICE AVANT DE COMMENCER L'INSTALLATION.

SECTION 1

Préparation du Ventilateur d'évacuation

- Sortir le ventilateur de sa boîte et confirmer que toutes les pièces sont présentes. En plus du ventilateur d'évacuation vous devriez avoir :
 - 1 - Grille
 - 1 - Ensemble de clapet (attaché)
 - 1 - Support de Montage
 - 1 - Sac de la Quincaillerie
 - 1 - Feuillet d'instructions / sécurité
 - 1 - Sac de la Quincaillerie
 - 1 - Connecteur Électrique
 - 3 - Coinceurs à Câbles
- Enlever le couvercle du compartiment à câble et le ranger dans l'emballage jusqu'à ce que vous en ayez besoin afin qu'il ne soit pas perdu ou endommagé (Figure 1).

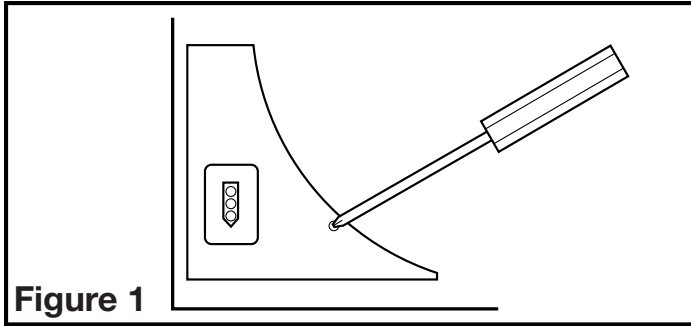


Figure 1

- Choisir l'emplacement pour votre ventilateur. Pour garantir la meilleure qualité d'air et performance acoustique, il est recommandé que la longueur de la canalisation et le nombre de coudes soient réduits au minimum, que le rayon de chaque coude soit aussi grand que possible pour l'installation, et que des conduits rigides isolés soient utilisés. Des conduits plus gros réduiront le bruit et les restrictions du débit d'air.
- Sélectionner l'alvéole défonçable la mieux appropriée et l'enlever à l'aide d'un tournevis à lame plate (Figure 2).
- Aucun matériel amortissant de vibrations supplémentaire n'est nécessaire pour ce ventilateur.

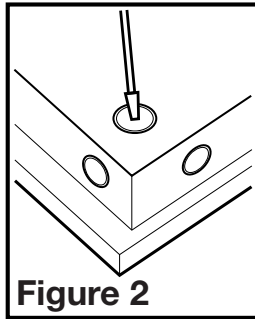


Figure 2

SECTION 2

Nouvelle construction - Modèles BFQ

- En utilisant le guide sur le support de montage, aligner le support sur la solive pour que le dessous du ventilateur soit à effleurement avec le plafond fini. Clouer ou visser solidement le support en place (Figure 3).

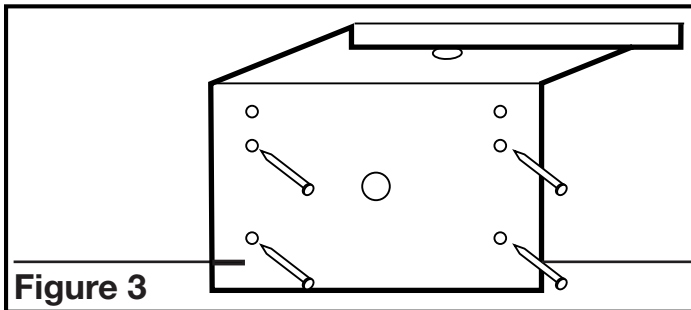


Figure 3



ATTENTION : POUR UNE INSTALLATION APPROPRIÉE, UTILISEZ UN MINIMUM DE 4 VIS SITUÉES DANS LES TROUS LES PLUS PROCHES DES PLAQUES DE PLÂTRE.

- Fixer par pression le bâti du ventilateur dans le support (Figure 4). Le ventilateur peut être fixé par pression en position avec le collet de conduit faisant face à gauche ou à droite en fonction de quelle direction est la plus pratique.

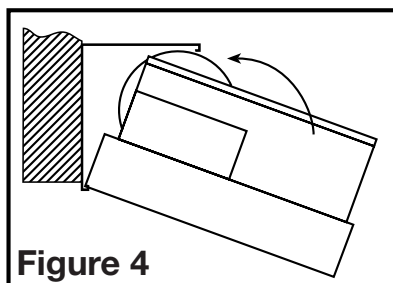


Figure 4

Nouvelle construction - Modèles BFQW (Conduit ovale)

- Utilisant le gabarit du support, aligner le support sur le côté d'un poteau de cloison de telle sorte que le fond du ventilateur soit au même niveau que le mur fini. Le support doit reposer sur une épaisseur de plaque de plâtre en avant sur le goujon (Figure 5).

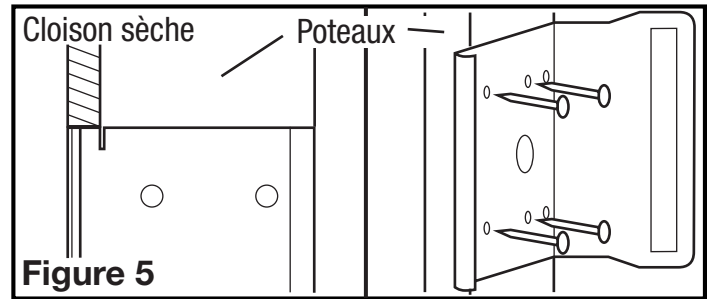


Figure 5

NOTE : Pour un fonctionnement correct de l'amortisseur, l'adaptateur du conduit doit être orienté vers le haut vers le plafond.

NOTE : Vous devez utiliser des cloisons de plâtre d'épaisseur minimale de 1/2 po pour les applications de montage mural.

- Clouer ou vissez solidement le support.
- Verrouillez le corps du ventilateur dans le support, en vous assurant que le collet du conduit est dirigé vers le haut vers le plafond (Figure 6).

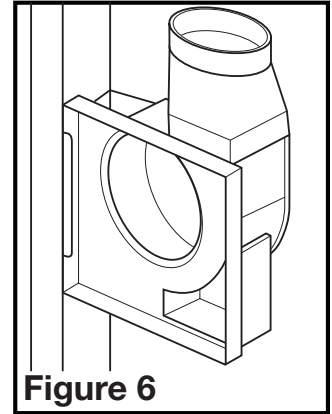


Figure 6

SECTION 3

Construction Existante - Modèles BFQ

- Positionner le cabinet contre la solive ou le montant et tracer le contour du cabinet sur le matériau du mur / plafond. Mettre le cabinet de côté et découper l'ouverture, en prenant bien soin de ne pas couper ou endommager d'utilité électrique ou dissimulée (Figure 7).
- Aligner le support sur la solive de manière que le bas du ventilateur soit à effleurement avec le plafond fini. Clouer ou visser solidement le support à fixer par pression en place (Figure 3).
- Fixer par pression le bâti du ventilateur dans le support (Figure 4). Le ventilateur peut être fixé par pression en position avec le collet de conduit faisant face à gauche ou à droite en fonction de quelle direction est la plus pratique.

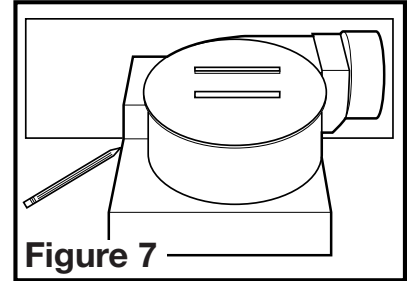


Figure 7

Construction Existante - Modèles BFQW (Conduit ovale)

- Retirez une partie du matériau du mur, assez grande pour faire place au boîtier du ventilateur, donner accès à la plaque supérieure, et avoir suffisamment d'espace pour connecter le conduit. Ce sera typiquement entre deux poteaux et environ 24 po à partir du haut du mur.
- Suivez les instructions de la Section 2 - Nouvelles constructions - modèles BFQW (Conduit ovale) pour terminer l'installation.

NOTE : L'installation dans un mur déjà construit vous obligera à repérer le mur autour de l'appareil.

SECTION 4

Conduits

NOTE : UN CONDUIT PLUS RIGIDE DE 4 PO OU PLUS EST RECOMMANDE POUR UNE MEILLEURE PERFORMANCE.



ATTENTION : TOUS LES CONDUITS DOIVENT ÊTRE CONFORMES AUX CODES DU BÂTIMENT LOCAUX ET NATIONAUX.

- Raccorder le conduit au collet de conduit du ventilateur (Figure 8). Fixer en place à l'aide de ruban ou de serre-joint. Toujours évacuer le ventilateur vers l'extérieur au travers de chapeau mural ou de toit. Il est recommandé que les raccords d'extrémité basse de restriction sont utilisées.

NOTE : Pour le raccordement du conduit ovale, presser un conduit standard rigide circulaire de 4 po pour former une forme ovale puis suivez les instructions à l'étape 1.

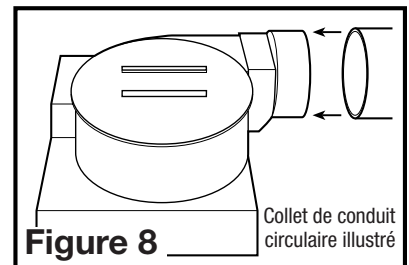


Figure 8

Collet de conduit circulaire illustré

2. Assurez-vous que les joints des conduits et les pénétrations extérieures sont scellés avec du mastic ou tout autre matériau similaire pour créer un passage d'air étanche afin de minimiser la perte ou le gain de chaleur et réduire le risque de condensation. Placez / enveloppez l'isolant autour du conduit et / ou ventilateur afin de minimiser la possibilité d'accumulation de condensation à l'intérieur du conduit, ainsi que la perte ou le gain de chaleur (Figure 9).

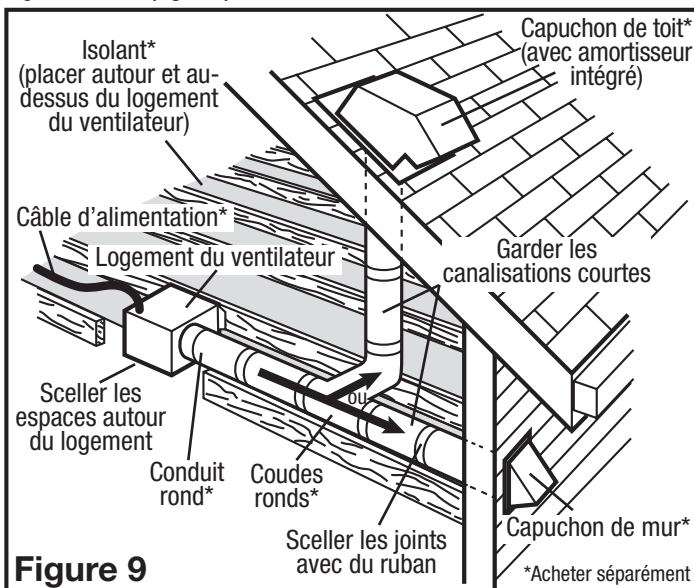


Figure 9

SECTION 5

Câblage



ATTENTION : VOUS ASSURER QUE L'ALIMENTATION EST COUPÉE AU PANNEAU DE SERVICE AVANT DE COMMENCER L'INSTALLATION.



ATTENTION : TOUTES LES CONNEXIONS DOIVENT ÊTRE FAITES EN CONFORMITÉ AVEC LES CODES ÉLECTRIQUES LOCAUX OU NATIONAUX. SI VOUS N'ÊTES PAS FAMILIER AVEC LES MÉTHODES D'INSTALLATION DE CÂBLAGE ÉLECTRIQUE, RECOURREZ AUX SERVICES D'UN ÉLECTRICIEN QUALIFIÉ.

1. Courir le filage d'un interrupteur mural approuvé de calibre approprié. Un fil neutre (blanc), un fil de mise à la terre (vert ou cuivre dénudé), et un fil vivant (fil noir connecté à l'interrupteur). Fixer les fils électriques au cabinet à l'aide d'un connecteur électrique approuvé. Assurez-vous de laisser suffisamment de fil dans la boîte de raccord pour la connexion au réceptacle du ventilateur.
2. De là où vous avez accès à l'intérieur de la boîte de jonction du ventilateur, connecter le fil Blanc provenant de la résidence au fil Blanc du réceptacle du ventilateur. Connecter le fil Noir de l'interrupteur mural au fil Noir du réceptacle du ventilateur. Connecter le fil de mise à la terre provenant de la résidence au fil Vert du réceptacle du ventilateur (Figure 10). Utiliser des méthodes approuvées pour toutes les connexions.

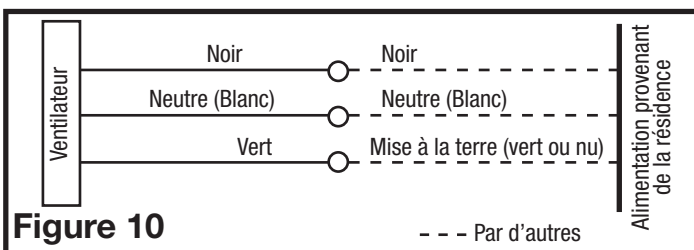


Figure 10

SECTION 6

Complétion de l'installation

1. Il est recommandé d'utiliser un scellant approprié pour le contact avec les matériaux de construction actuels et pour les besoins de la température de l'installation, afin d'empêcher les fuites d'air à partir des espaces non conditionnés. S'il y a des grands écarts entre le boîtier de l'appareil et le plafond, du matériel supplémentaire (tige de support, matériel de plafond) peut être nécessaire.

NOTE : Ce ventilateur est conçu pour le contact d'isolation directe (type IC). Il est aussi recommandé que ce ventilateur soit complètement recouvert par l'isolation afin de réduire la perte de chaleur ou de gagner de l'espace inconditionné.

2. Réinstaller le couvercle du compartiment de câble du ventilateur en place. Faire tourner la roue de la soufflante à la main pour vous assurer qu'elle tourne librement. Brancher le cordon à raccordement rapide dans le réceptacle. Ce cordon ne s'ajuste que d'une seule façon dans le réceptacle (Figure 11).

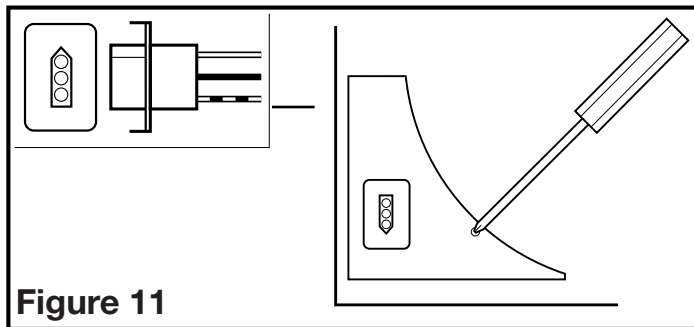


Figure 11

NOTE : Si vous utilisez ce ventilateur pour répondre aux exigences de la norme ASHRAE 62.2, repérez l'étiquette à l'intérieur du boîtier du ventilateur et complétez les informations appropriées.

3. Installer la grille en pressant ensemble les deux extrémités des ressorts et en les installant dans les fentes du châssis du ventilateur. Pousser la grille en position (Figure 12).

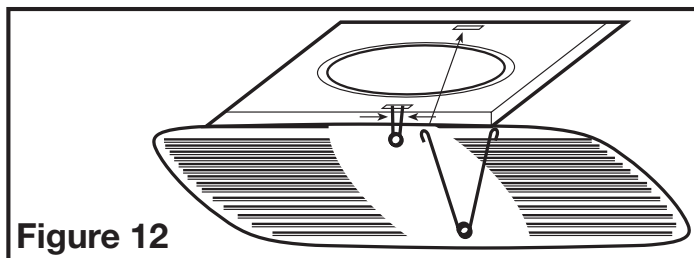


Figure 12

4. Restaurer l'alimentation et tester votre installation.

SECTION 7

Use and Care



ATTENTION : VOUS ASSURER QUE L'ALIMENTATION EST COUPÉE AU PANNEAU DE SERVICE AVANT DE COMMENCER L'INSTALLATION.

1. **Nettoyage de la grille :** Retirer la grille et utiliser un détergent doux, tel que du liquide pour la vaisselle, puis sécher à l'aide d'un chiffon doux. NE JAMAIS UTILISER D'ABRASIF OU DE POUDRE À RÉCURER. Sécher complètement la grille avant de la réinstaller. Pour réinstaller la grille, vous référer à la Section 6 - Complétion de l'installation.
2. **Nettoyage de l'assemblage du ventilateur :** Débrancher le cordon du moteur de son réceptacle. Nettoyer toutes les pièces avec un chiffon sec ou passer délicatement l'aspirateur dans le ventilateur. NE JAMAIS IMMERGER DES PIÈCES ÉLECTRIQUES DANS L'EAU. Rebrancher le cordon et remettre l'alimentation.

Guide de dépannage

Trouble	Cause Possible	Solution Suggérée
1. Le ventilateur ne fonctionne pas lorsque l'interrupteur est à la position en marche.	1a. Un fusible peut être grillé ou un disjoncteur peut être déclenché. 1b. La fiche de raccord du moteur n'est pas connectée. 1c. Le câblage n'est pas raccordé correctement. 1d. Le moteur est terminée	1a. Remplacer le fusible ou réinitialiser le disjoncteur. 1b. Couper l'alimentation à l'unité. Retirer la grille et brancher le moteur dans le réceptacle dans le cabinet. Remettre l'alimentation sur l'unité. 1c. Couper l'alimentation de l'unité. Vérifier que tous les fils sont raccordés. 1d. Remplacez le moteur
2. Le ventilateur fonctionne, mais l'air circule plus lentement que la normale.	2. Obstruction dans les conduits d'évacuation.	2. Vérifier pour toute obstruction dans les conduits. Les plus courantes sont des nids d'oiseau dans le chapeau de toit ou mural là où le ventilateur s'évacue vers l'extérieur.
3. Le ventilateur fonctionne de manière plus bruyante que la normale.	3a. Le moteur est lâche. 3b. L'hélice du ventilateur frotte contre le cabinet de l'unité.	3a. Couper l'alimentation à l'unité. Retirer la grille et vérifier que toutes les vis sont complètement serrées. Remettre l'alimentation sur l'unité. 3b. Appeler votre marchand pour un service.

GARANTIE LIMITÉE

QUE COUVRE CETTE GARANTIE : Ce produit est garanti contre tout vice de fabrication ou de matière.

COMBIEN DE TEMPS CETTE GARANTIE DURE : Cette garantie se rapporte seulement à l'acheteur original du produit et dure pendant cinq (5) années de la date de l'achat original ou jusqu'à ce que l'acheteur original du produit vend ou transfère le produit, celui qui se produit en premier.

QUE FERA AIR KING : Au cours de la période de garantie, Air King, à son choix, réparera ou remplacera n'importe quelle partie ou pièces qui s'avèrent défectueuses ou remplacera le produit entier par le même modèle ou un modèle comparable.

CE QUE CETTE GARANTIE NE COUVRE PAS : Cette garantie ne s'applique pas si le produit était endommagé ou arrête de fonctionner en raison d'un accident, d'une mauvaise manipulation ou opération, de dommages d'expédition, d'abus, de mauvaise utilisation, de réparation faite ou tentées non autorisées. Cette garantie ne couvre pas les coûts d'expédition pour le retour des produits à Air King pour la réparation ou le remplacement. Air King payera les frais d'expédition de retour de Air King après les réparations ou le remplacement de garantie.

TOUTES LES GARANTIES, EXPRESSES OU TACITES (COMPRENANT, SANS LIMITATION, TOUTE GARANTIE TACITE DE VALEUR MARCHANDE), DURENT CINQ ANNÉES DE LA DATE DE L'ACHAT ORIGINAL OU JUSQU'À CE QUE L'ACHETEUR ORIGINAL DU PRODUIT VEND OU TRANSFÈRE LE PRODUIT, CELUI QUI SE PRODUIT EN PREMIER ET DANS AUCUN CAS AIR KING N'ASSUME AUCUNE RESPONSABILITÉ EXPRESSE OU TACITE POUR (I) DES DOMMAGES ACCIDENTELS OU INDIRECTS DE N'IMPORTE QUELLE CAUSE, OU (II) LE REMPLACEMENT OU LA RÉPARATION DE TOUS FUSIBLES, DISJONCTEURS OU RÉCEPTACLES DE MAISON. MALGRÉ N'IMPORTE QUOI À L'EFFET CONTRAIRE, DANS AUCUN CAS LA RESPONSABILITÉ D'AIR KING, SOUS UNE GARANTIE EXPRESSE OU TACITE, NE DÉPASSERA LE PRIX D'ACHAT DU PRODUIT ET UNE TELLE RESPONSABILITÉ SE TERMINERA AVEC L'EXPIRATION DE LA PÉRIODE DE GARANTIE.

Certains états et provinces ne permettent pas les limitations de la période de garantie, ou l'exclusion ou la restriction des dommages accidentels ou indirects, et, par conséquent, les présentes restrictions ne peuvent pas s'appliquer. La présente garantie vous donne des droits légaux spécifiques et peut-être certains autres droits qui peuvent varier selon la province. La preuve d'achat est exigée avant qu'une réclamation de garantie ne soit acceptée.

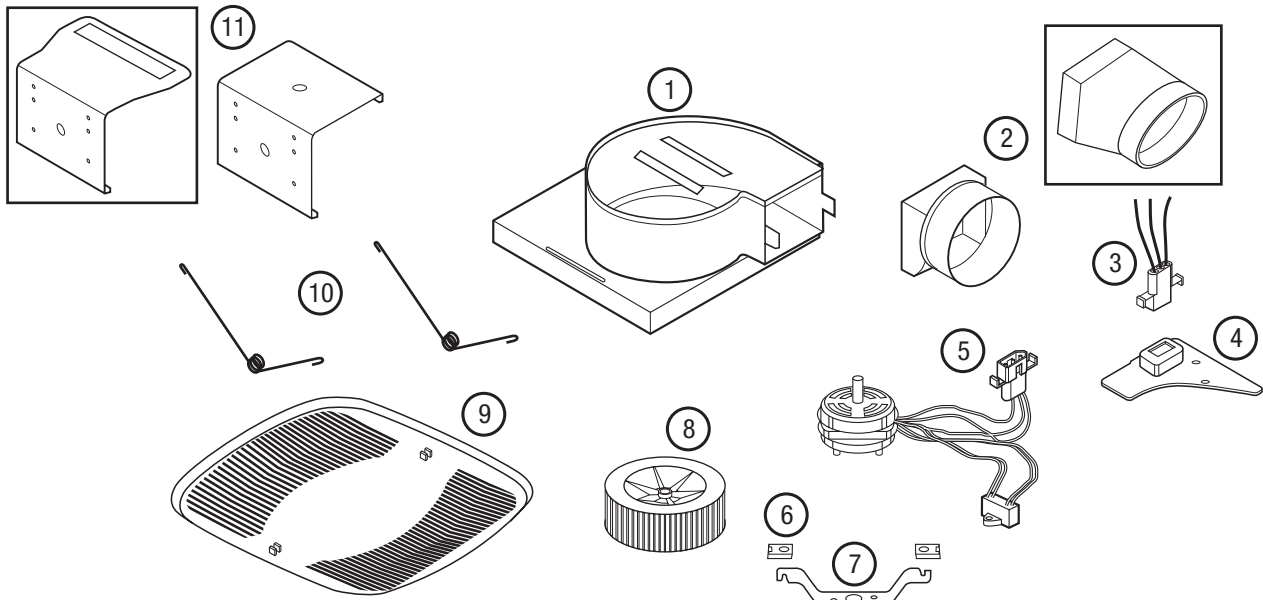
SERVICE À LA CLIENTÈLE :

Sans frais (800) 465-7300

Notre équipe de service à la clientèle est disponible pour vous aider avec des questions sur le produit, les adresses des centres de service, et les pièces de rechange. Vous pouvez la rejoindre, du lundi au vendredi, de 8h:00 à 16h:00 HNE. Veuillez avoir le numéro du modèle disponible, ainsi que le genre et le style (qui se trouvent sur l'étiquette à l'intérieur de votre produit). Veuillez ne pas renvoyer le produit à l'endroit de l'achat.

www.airkinglimited.com

IL SE PEUT QUE LES PIÈCES POUR LES PRODUITS DISCONTINUÉS, OBSOLÈTES ET AUTRES PRODUITS NE SOIENT PAS DISPONIBLES. POUR DES RAISONS DE SÛRETÉ, BEAUCOUP DE COMPOSANTS ÉLECTRONIQUES ET LA PLUPART DES COMPOSANTS DES CHAUFFAGES NE SONT PAS À LA DISPOSITION DES CONSOMMATEURS POUR L'INSTALLATION OU LE REMPLACEMENT.



#	Qté.	Description	# de pièce de remplacement
1	1	Cabinet du ventilateur	5S2205001
2	1	Assemble du Clapet - BFQ	5S2299054
	1	Assemble du Clapet - BFQW	5S2299055
3	1	Réceptacle 3P	5S2205004
4	1	Couvercle des câbles	5S2205005
5	1	Moteur - BFQ50, BFQ50W	5S2205035
	1	Moteur - BFQ60	5S2205036
	1	Moteur - BFQ70, BFW70W	5S2205037
	1	Moteur - BFQ75	5S2205037
	1	Moteur - BFQ80	5S2205034
	1	Moteur - BFQ90	5S2299001

#	Qté.	Description	# de pièce de remplacement
5	1	Moteur - BFQ110	5S2205008
	1	Moteur - BFQ140	5S2299002
6	2	Clip	5S2205009
7	1	Support du Moteur	5S2299003
8	1	Roue de la Soufflante	5S2299004
9	1	Grille - BFQ	5S2205011
	1	Grille - BFQW	5S2299056
10	2	Ressorts de la grille	5S2205012
11	1	Support à Fixer par Pression - BFQ	5S2205013
	1	Support à Fixer par Pression - BFQW	5S2202057

Installateur : _____

Date d'installation : _____

Endroit de l'achat : _____

Numéro de modèle : _____