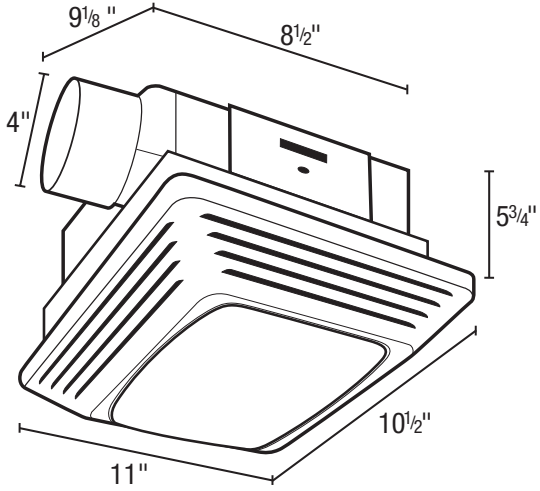




SPECIFICATIONS
BFQL50
 EXHAUST FAN WITH LIGHT

2100 HVI CERTIFIED 50 CFM/0.8 Sones @ 0.10" SP.
 39 CFM @ 0.25" SP.

- **Grill**
 White polymeric grill secured in place via screw mounting through the light housing, dimensions - 11" x 10½".
- **Light Lens**
 High impact polycarbonate lens, secured in position using integral tabs; easily removed if necessary.
- **Blower Wheel**
 One piece polymeric wheel 5⅞" diameter, 2⅜" wide, with 48 fins.
- **Motor**
 Heavy duty, permanently split capacitor, plug-in, 4 pole motor, life time lubrication, thermally protected, suitable for continuous operation. Rated 120 volts, 60 hz.
- **Fan Housing**
 PC/ABS polymeric, dimensions 8⅞" x 9⅞" x 5¾".
- **Duct Collar**
 Plastic collar for 4" duct connection, comes complete with built in non-metallic back draft damper for quiet operation.
- **Lighting**
 LED Lamp rated 6 Watt 450 Lumens 75 Lumens/Watt
- **Ventilating Area**
 For bathrooms up to 50 sq. ft. For other rooms up to 60 sq. ft.
- **Single Pack Shipping Info**
 Box Dim: 11½" x 13¼" x 9½"



Acceptable for use over tub or shower when installed in a GFCI protected branch circuit.



- **Unit Mounting**
 Rated for ceilings insulated to R-40. Designed to mount in ceilings with at least 6" of clearance. The unit is mounted directly to the joist using a separate lock-in bracket (included with unit). The housing will mount through drywall thickness up to ¾", with a rough-in opening of 8⅞" x 9¼".

EXPANDED PERFORMANCE

	Static Pressure (inches of w.g.)							Sones @ .1 SP	Fan Speed RPM	Maximum Fan Watts	Amps
	0	0.05	0.1	0.125	0.15	0.2	0.25				
Air Flow - CFM	56	53	50	48	47	45	39	0.8	1225	17.8	0.5

PROJECT				ARCHITECT							
LOCATION				ENGINEER							
CONTRACTOR				SUBMITTED BY				DATE			
FAN NUMBER	MODEL NUMBER	CFM	IN W.G.	RPM	WATTS	AMPS	SONES	QTY	OPTIONAL EQUIPMENT & REMARKS		



U.S.: 820 Lincoln Avenue
 West Chester, Pennsylvania 19380-4466
 Tel: (610) 692-7400 • 877-304-3785
 Fax: (610) 696-8048

Canada:
 Bolton, Ontario
 Tel: 905-456-2033