



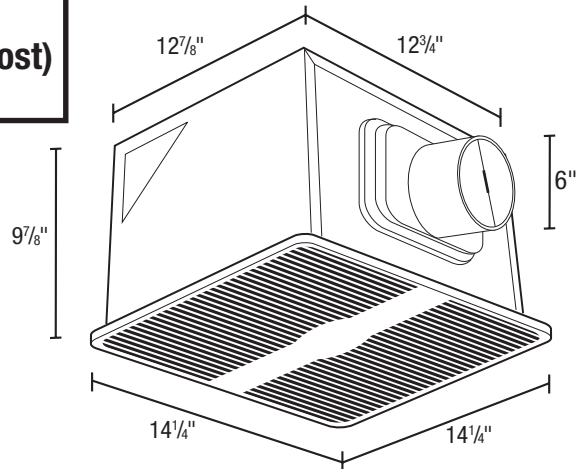
**SPECIFICATIONS**

**E80S**

**EXHAUST FAN**



**80 CFM / <0.3 Sones @ 0.10" SP.**  
**110 CFM / 0.7 Sones @ 0.10" SP. (Boost)**  
**84 CFM @ 0.25 SP. (Boost)**



- **Grill**  
White, polymeric grill secured in place with torsion springs; easily removed if necessary, dimensions - 14 7/16" x 14 7/16".
- **Blower Wheel**  
Balanced polymeric dual inlet blower wheel secured in place using a hex nut.
- **Motor**  
Enclosed 4 pole high efficiency, permanently split capacitor motor (PSC); life time lubrication, suitable for continuous operation. Motor bearings - ball. Rated 115/120 volts, 60 Hz.
- **Fan Housing**  
23 gauge galvanized steel housing.  
Overall dimensions: 12 7/8" x 12 3/4" x 9 7/8".
- **Duct Collar**  
6" round, zinc plated metal collar adapter. Gasketed, spring loaded aluminum backdraft damper.
- **Electrical Connections**  
1/2" electrical knockouts provided. Easy wiring access via either internal or external wiring compartment cover.
- **Single Pack Shipping Info**  
Box Dim: 20" x 15 7/8" x 11 3/8"  
UPC: 0-8316294130-5  
Shipping Weight: 14.1 lbs.

Acceptable for use over tub or shower when installed in a GFCI protected branch circuit.



- **Unit Mounting**  
The housing will mount through drywall thickness up to 3/4", with a rough-in opening of 13" x 12 7/8". The housing will mount either between 16" or 24" on center joists, using the 2 supplied housing mounting brackets. The housing mounting brackets can be adapted for overhead mounting (hardware not provided).

**EXPANDED PERFORMANCE**

	Static Pressure (inches of w.g.)						Sones @ .1 SP	Fan Speed RPM	Maximum Power Watts	Amps
	0	0.05	0.1	0.15	0.20	0.25*				
<b>Air Flow - CFM</b>	111	95	80	67	53	31/84	<0.3	760	37.0	0.3

\* Boost speed provides 84 CFM @ .25 Static Pressure, 0.7 sones

<b>PROJECT</b>							<b>ARCHITECT</b>			
<b>LOCATION</b>							<b>ENGINEER</b>			
<b>CONTRACTOR</b>							<b>SUBMITTED BY</b>			<b>DATE</b>
FAN NUMBER	MODEL NUMBER	CFM	IN W.G.	RPM	WATTS	AMPS	SONES	QTY	OPTIONAL EQUIPMENT & REMARKS	



**U.S.:** 820 Lincoln Avenue  
 West Chester, Pennsylvania 19380-4466  
 Tel: (610) 692-7400 • 877-304-3785  
 Fax: (610) 696-8048

**Canada:**  
 Bolton, Ontario  
 Tel: 905-456-2033