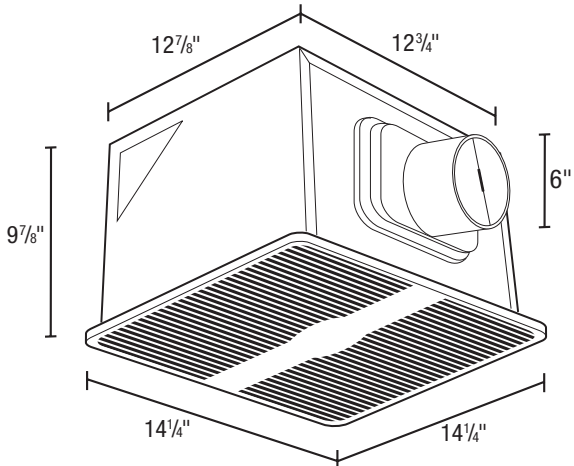




**SPECIFICATIONS**  
**EVDH**  
 VARIABLE AIRFLOW DUAL SPEED  
 EXHAUST FAN

	130 CFM/<0.3 Sones @ 0.10" SP.	90 CFM/<0.3 Sones @ 0.10" SP.	50 CFM/<0.3 Sones @ 0.10" SP.
	120 CFM/<0.3 Sones @ 0.10" SP.	80 CFM/<0.3 Sones @ 0.10" SP.	40 CFM/<0.3 Sones @ 0.10" SP.
	110 CFM/<0.3 Sones @ 0.10" SP.	70 CFM/<0.3 Sones @ 0.10" SP.	30 CFM/<0.3 Sones @ 0.10" SP.
	100 CFM/<0.3 Sones @ 0.10" SP.	60 CFM/<0.3 Sones @ 0.10" SP.	
	<b>BOOST SPEED: 150 CFM/0.6 Sones @ 0.10" SP., 113 CFM @ 0.25" SP.</b>		

- Grill**  
 White, polymeric grill secured in place with torsion springs; easily removed if necessary, dimensions - 14 1/4" x 14 1/4".
- Blower Wheel**  
 Balanced polymeric dual inlet blower wheel secured in place using a hex nut.
- Adjustable Capacity Motor**  
 8 capacity settings on low speed allow the fan to be set to the required exhaust rate for continuous ventilation. Low speed set points include: 30 40 50 60 70 90 100 & 120 CFM  
 High speed rapidly clears the air of moisture, odors or other contaminants. High speed set points include: 80 110 130 Boost  
 Quiet 4 Pole motor, suitable for continuous operation, permanently lubricated, 115/120V 60 Hz., 0.30 amps. Ideal for compliance with Ashrae 62.2, LEED, ENERGY STAR® for Homes, California Title 24 and other programs.
- Humidity Sensor**  
 Integrated humidity sensor, adjustable up to 80% RH automatically turns fan to high speed until humidity drops to the desired set point.
- Fan Housing**  
 23 gauge galvanized steel housing. Overall dimensions: 12 7/8" x 12 3/4" x 9 7/8".
- Duct Collar**  
 6" round, zinc plated metal collar adapter. Gasketed, spring loaded aluminum backdraft damper.
- Electrical Connections**  
 0.5" electrical knockouts provided. Easy wiring access via either internal or external wiring compartment cover.
- Single Pack Shipping Info**  
 Box Dim: 20" x 15 7/8" x 11 3/8"  
 UPC: 0-8316294190-9  
 Shipping Weight: 14.5 lbs.



Acceptable for use over tub or shower when installed in a GFCI protected branch circuit.



- Unit Mounting**  
 The housing will mount through drywall thickness up to 3/4", with a rough-in opening of 13" x 12 7/8". The housing will mount either between 16" or 24" on center joists, using the 2 supplied housing mounting brackets. The housing mounting brackets can be adapted for overhead mounting (hardware not provided). The unit is provided with an optionally installed ceiling flange to ensure proper building infiltration rates are maintained and that no air leaks occur between the fan housing and ceiling cutout.

**SEE REVERSE SIDE FOR STATIC PRESSURE RANGES**

<b>PROJECT</b>							<b>ARCHITECT</b>				
<b>LOCATION</b>							<b>ENGINEER</b>				
<b>CONTRACTOR</b>							<b>SUBMITTED BY</b>			<b>DATE</b>	
<b>FAN NUMBER</b>	<b>MODEL NUMBER</b>	<b>CFM</b>	<b>IN W.G.</b>	<b>RPM</b>	<b>WATTS</b>	<b>AMPS</b>	<b>SONES</b>	<b>QTY</b>	<b>OPTIONAL EQUIPMENT &amp; REMARKS</b>		



**U.S.:** 820 Lincoln Avenue  
 West Chester, Pennsylvania 19380-4466  
 Tel: (610) 692-7400 • 877-304-3785  
 Fax: (610) 696-8048

**Canada:**  
 Brampton, Ontario  
 Tel: 905-456-2033  
 Fax: (905) 456-1015

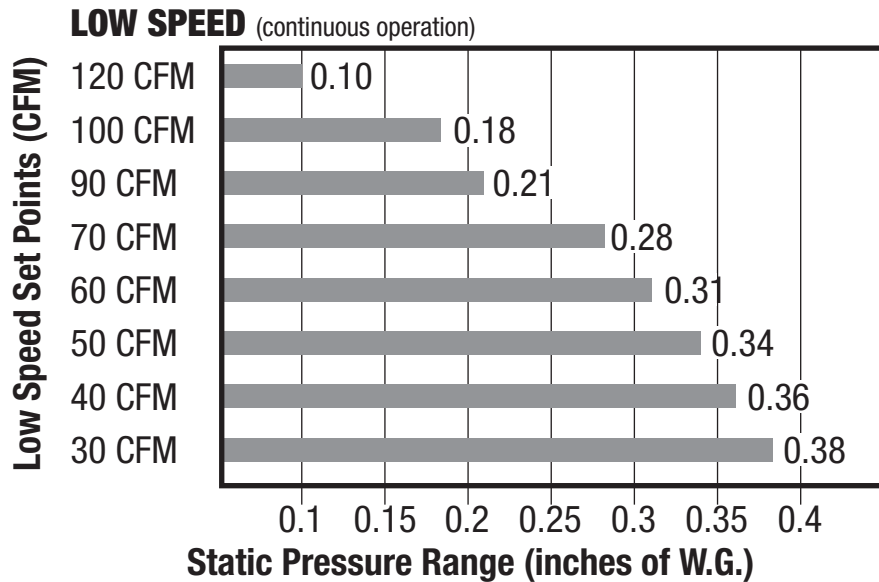
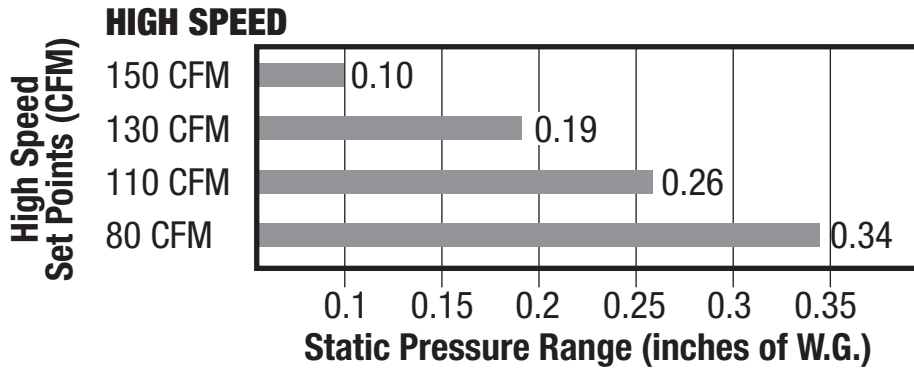


SPECIFICATIONS

# EVDH

VARIABLE AIRFLOW DUAL SPEED  
EXHAUST FAN

## ACHIEVABLE STATIC PRESSURES



**U.S.:** 820 Lincoln Avenue  
West Chester, Pennsylvania 19380-4466  
Tel: (610) 692-7400 • 877-304-3785  
Fax: (610) 696-8048

**Canada:**  
Brampton, Ontario  
Tel: 905-456-2033  
Fax: (905) 456-1015