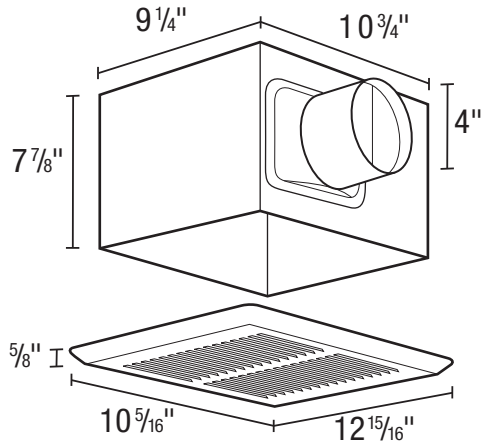




SPECIFICATIONS  
**FRAK80**  
 EXHAUST FAN

**2100 HVI CERTIFIED**    **80 CFM/1.0 Sones @ 0.10" SP.**  
**68 CFM @ 0.25 SP.**



- **Grill**  
Cold rolled steel, powder coated white.
- **Blower Wheel**  
One piece polymeric centrifugal blower wheel, 5 1/4" diameter, 2 7/8" wide, with 30 paddles.
- **Motor**  
Heavy duty, permanently split capacitor, 4 pole motor, life time lubrication, thermally protected, suitable for continuous operation. Rated 120 volts.  
**Contractor Pack (Motor/BladeGrill) Model: FAK80T\***
- **Fan Housing**  
24 gauge galvanized steel housing, dimensions 10 3/4" x 9 1/4" x 7 7/8".  
**Contractor Pack Model: AKFH2\***
- **Duct Collar**  
Metal collar for 4" duct connection, comes complete with built in back draft damper.
- **Unit Mounting**  
FRAK80 is centered between joists (with 16" centers) using hanging brackets. The housing will mount through drywall thickness up to 3/4", with a rough-in opening of 10 3/4" x 9 1/4".
- \* Sold in packs of 4. All three parts (housing, damper, motor/blade/grill) must be purchased and used together to make a complete unit.
- **Damper**  
**Blanket** - Non-asbestos, ceramic blanket  
**Fusible Link** - Replaceable, 165°F standard  
**Classification** - CUL Listed 555C and 263. California State Marshall classification for 3 hour fire damper rating. California State Marshall listing number 3226-1721:0109.  
**Contractor Pack Model: AKFD2\***

Acceptable for use over tub or shower when installed in a GFCI protected branch circuit.



- **Ventilating Area**  
For bathrooms up to 100 sq. ft.
- **Wood Frame Truss Design Listings**  
**ETL Classified UL263/E119:**  
L501, L502, L503, L506, L507, L508, L512, L513, L514, L515, L516, L517, L519, L521, L522, L523, L528, L530, L533, L537, L545, L546, L550, L562, L563, L570, L574, L579, L581, L583, L585, L586, M503, M530, M538, P522, P531, P538, P545, P552  
**cULus:** L501, L502, L503, L506, L507, L508, L512, L513, L514, L515, L516, L517, L519, L522, L523, L533, L537, L545, L581, L583, M530, M538

EXPANDED PERFORMANCE																		
								Sones @ .1 SP	Fan Speed RPM	Maximum Fan Watts	Amps							
												Static Pressure (inches of w.g.)						
								0	0.05	0.1	0.125	0.15	0.2	0.25				
<b>Air Flow - CFM</b>								89	84	80	78	75	70	68	1.0	1250	28.1	0.30

<b>PROJECT</b>							<b>ARCHITECT</b>				
<b>LOCATION</b>							<b>ENGINEER</b>				
<b>CONTRACTOR</b>							<b>SUBMITTED BY</b>			<b>DATE</b>	
FAN NUMBER	MODEL NUMBER	CFM	IN W.G.	RPM	WATTS	AMPS	SONES	QTY	OPTIONAL EQUIPMENT & REMARKS		



**U.S.:** 820 Lincoln Avenue  
 West Chester, Pennsylvania 19380-4466  
 Tel: (610) 692-7400 • 877-304-3785  
 Fax: (610) 696-8048

**Canada:**  
 Brampton, Ontario  
 Tel: 905-456-2033  
 Fax: (905) 456-1015