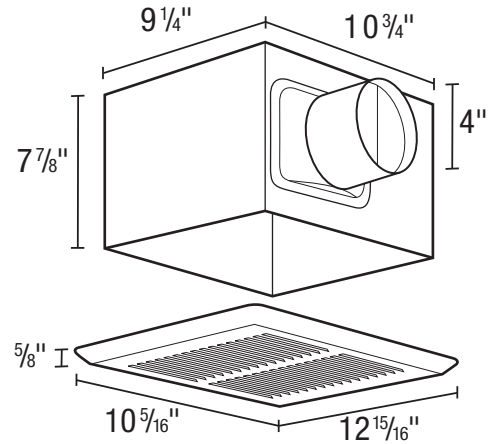




SPECIFICATIONS
FRAK90
 EXHAUST FAN

2100 HVI CERTIFIED 90 CFM/1.5 Sones @ 0.10" SP.
 73 CFM @ 0.25" SP.



- **Grill**
Cold rolled steel, powder coated white.
- **Blower Wheel**
One piece polymeric centrifugal blower wheel, 5 1/4" diameter, 2 7/8" wide, with 30 paddles.
- **Motor**
Heavy duty, permanently split capacitor, 4 pole motor, life time lubrication, thermally protected, suitable for continuous operation. Rated 120 volts.
Contractor Pack (Motor/BladeGrill) Model: FAK90T*
- **Fan Housing**
24 gauge galvanized steel housing, dimensions 10 3/4" x 9 1/4" x 7 7/8".
Contractor Pack Model: AKFH2*
- **Duct Collar**
Metal collar for 4" duct connection, comes complete with built in back draft damper.
- **Unit Mounting**
FRAK90 is centered between joists (with 16" centers) using hanging brackets. The housing will mount through drywall thickness up to 3/4", with a rough-in opening of 10 3/4" x 9 1/4".
- * Sold in packs of 4. All three parts (housing, damper, motor/blade/grill) must be purchased and used together to make a complete unit.
- **Damper**
Blanket - Non-asbestos, ceramic blanket
Fusible Link - Replaceable, 165°F standard
Classification - CUL Listed 555C and 263. California State Marshall classification for 3 hour fire damper rating. California State Marshall listing number 3226-1721:0109.
Contractor Pack Model: AKFD2*

Acceptable for use over tub or shower when installed in a GFCI protected branch circuit.



- **Ventilating Area**
For bathrooms up to 115 sq. ft.
- **Wood Frame Truss Design Listings**
ETL Classified UL263/E119:
L501, L502, L503, L506, L507, L508, L512, L513, L514, L515, L516, L517, L519, L521, L522, L523, L528, L530, L533, L537, L545, L546, L550, L562, L563, L570, L574, L579, L581, L583, L585, L586, M503, M530, M538, P522, P531, P538, P545, P552
cULus: L501, L502, L503, L506, L507, L508, L512, L513, L514, L515, L516, L517, L519, L522, L523, L533, L537, L545, L581, L583, M530, M538

EXPANDED PERFORMANCE											
	Static Pressure (inches of w.g.)							Sones @ .1 SP	Fan Speed RPM	Maximum Fan Watts	Amps
	0	0.05	0.1	0.125	0.15	0.2	0.25				
Air Flow - CFM	101	94	90	88	86	80	73	1.5	1250	26.0	0.30

PROJECT							ARCHITECT				
LOCATION							ENGINEER				
CONTRACTOR							SUBMITTED BY			DATE	
FAN NUMBER	MODEL NUMBER	CFM	IN W.G.	RPM	WATTS	AMPS	SONES	QTY	OPTIONAL EQUIPMENT & REMARKS		



U.S.: 820 Lincoln Avenue
 West Chester, Pennsylvania 19380-4466
 Tel: (610) 692-7400 • 877-304-3785
 Fax: (610) 696-8048

Canada:
 Brampton, Ontario
 Tel: 905-456-2033
 Fax: (905) 456-1015