



SPECIFICATIONS  
**LE300A**  
POWER PACK

**HVI 2100 CERTIFIED**  
**High Speed 300 CFM/5.0 Sones @ 0.10" SP.**  
**Medium Speed 200 CFM/2.0 Sones @ 0.10" SP.**  
**Low Speed 150 CFM/0.5 Sones @ 0.03" SP.**

**Continuous Performance @ 0.03" SP.**  
**30 CFM/<0.3 Sones, 50 CFM/<0.3 Sones**  
**70 CFM/<0.3 Sones, 90 CFM/<0.3 Sones**

**Dimensions**

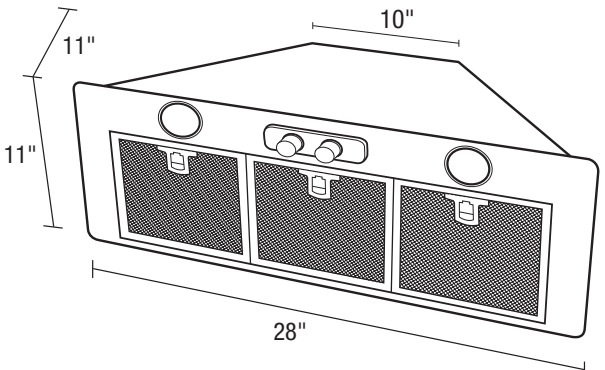
Overall bottom projection - 11"  
 Height - 11"  
 Width - 28" (for 30" canopy)

**Body**

Galvanized steel body with stainless steel fascia. Install at least 24" above the cooking surface.

**Adjustable Capacity Motor**

4 capacity settings on low speed allow the fan to be set to the required exhaust rate for continuous ventilation. Low speed set points include: 30 50 70 or 90 CFM  
 High speed rapidly clears the air of moisture, odors or other contaminants. Ideal for compliance with ASHRAE 62.2, LEED and other programs. Suitable for continuous operation, thermally protected, permanently lubricated, split capacitor, 120V 60 Hz. with two electronically balanced blower wheels.  
 Internal On/Off switch allows override of continuous ventilation operation.



**BARELY AUDIBLE  
CONTINUOUS SPEED OPERATION**

**Lighting**

Uses 2 - 7 Watt GU10 base LED lamps (included).

**Ducting**

Vertical ducting: 6" round ducting with all metal outlet adapter and back draft damper.

**Filters**

Aluminum grease filters (included).

**Cut Out Opening Size**

Width 26 7/8"  
 Depth - 10"



<b>EXPANDED PERFORMANCE</b>										
<i>Air Flow - CFM</i>	<i>Static Pressure (inches of w.g.)</i>						<i>Sones @ .1 SP</i>	<i>Fan Speed RPM</i>	<i>Power Watts</i>	<i>Amps</i>
	<i>0</i>	<i>0.1</i>	<i>0.15</i>	<i>0.25</i>	<i>0.3</i>	<i>0.375</i>				
<b>High Speed</b>	315	300	292	271	259	238	5.0	1490	88.5	1.1
<b>Medium Speed</b>	207	200	196	185	178	163	2.0	1335	64.6	1.1
<b>Low Speed</b>	153	142	137	125	119	-	0.5	819	39.2	1.1

<b>PROJECT</b>							<b>ARCHITECT</b>			
<b>LOCATION</b>							<b>ENGINEER</b>			
<b>CONTRACTOR</b>							<b>SUBMITTED BY</b>			<b>DATE</b>
FAN NUMBER	MODEL NUMBER	CFM	IN W.C.	RPM	WATTS	AMPS	SONES	QTY	OPTIONAL EQUIPMENT & REMARKS	



**Air King:** 820 Lincoln Avenue  
 West Chester, Pennsylvania 19380-4466  
 Tel: (610) 692-7400 • 877-304-3785  
 Fax: (610) 696-8048

**Canada:**  
 Brampton, Ontario  
 Tel: 905-456-2033  
 Fax: (905) 456-1015