



SPECIFICATIONS  
**LE300**  
POWER PACK


**High Speed 300 CFM/5.0 Sones @ 0.10" SP.**  
**Medium Speed 200 CFM/2.0 Sones @ 0.10" SP.**  
**Low Speed 150 CFM/0.5 Sones @ 0.03" SP.**

• **Dimensions**

Overall bottom projection - 11"  
Height - 11"  
Width - 28" (for 30" canopy)

• **Body**

Galvanized steel body with stainless steel fascia. Install at least 24" above the cooking surface.

• **Blower**

3 speed, thermally protected, permanently lubricated, split capacitor, 120V 60 Hz. with two electronically balanced blower wheels.

• **Lighting**

Uses 2 - 6.5 Watt GU10 base LED lamps (included).

• **Ducting**

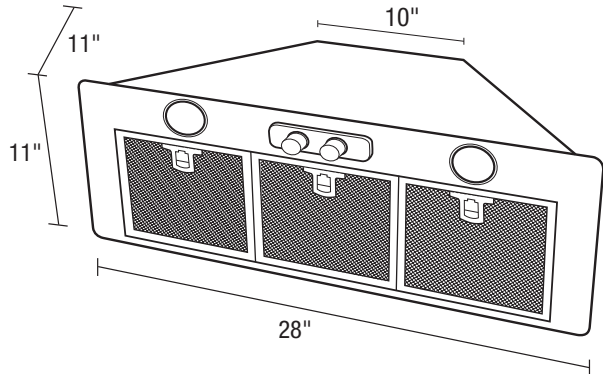
Vertical ducting: 6" round ducting with all metal outlet adapter and back draft damper.

• **Filters**

Aluminum grease filters (included).

• **Cut Out Opening Size**

Width 26 7/8"  
Depth - 10"



<b>EXPANDED PERFORMANCE</b>										
<i>Air Flow - CFM</i>	<i>Static Pressure (inches of w.g.)</i>						<i>Sones @ .1 SP</i>	<i>Fan Speed RPM</i>	<i>Power Watts</i>	<i>Amps</i>
	<i>0</i>	<i>0.1</i>	<i>0.15</i>	<i>0.25</i>	<i>0.3</i>	<i>0.375</i>				
<b>High Speed</b>	315	300	292	271	259	238	5.0	1490	88.5	1.1
<b>Medium Speed</b>	207	200	196	185	178	163	2.0	1335	64.6	1.1
<b>Low Speed</b>	153	142	137	125	119	-	0.5	819	39.2	1.1

<b>PROJECT</b>							<b>ARCHITECT</b>			
<b>LOCATION</b>							<b>ENGINEER</b>			
<b>CONTRACTOR</b>							<b>SUBMITTED BY</b>			<b>DATE</b>
FAN NUMBER	MODEL NUMBER	CFM	IN W.C.	RPM	WATTS	AMPS	SONES	QTY	OPTIONAL EQUIPMENT & REMARKS	



**Air King:** 820 Lincoln Avenue  
West Chester, Pennsylvania 19380-4466  
Tel: (610) 692-7400 • 877-304-3785  
Fax: (610) 696-8048

**Canada:**  
Brampton, Ontario  
Tel: 905-456-2033  
Fax: (905) 456-1015