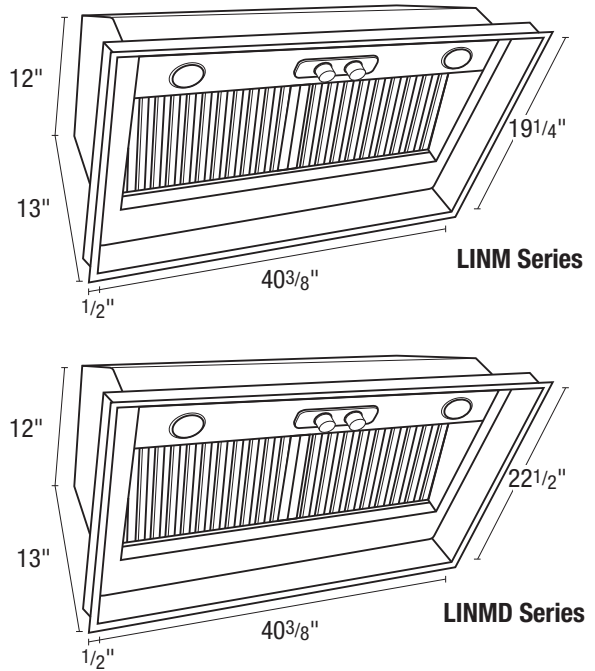




SPECIFICATIONS  
**LIN40M**  
 POWER UNIT LINER

LIN40m-300 CFM/4.5 Sones @ 0.10" SP. LIN40m-400 CFM/8.0 Sones @ 0.10" SP. LIN40m-600 CFM/5.5 Sones @ 0.10" SP. LIN40m-900 CFM/11.0 Sones @ 0.10" SP. LIN40m-1200 CFM/15.0 Sones @ 0.10" SP.	LIN40md-300 CFM/4.5 Sones @ 0.10" SP. LIN40md-400 CFM/8.0 Sones @ 0.10" SP. LIN40md-600 CFM/5.5 Sones @ 0.10" SP. LIN40md-900 CFM/11.0 Sones @ 0.10" SP. LIN40md-1200 CFM/15.0 Sones @ 0.10" SP.
---	--

- Hood**  
 Galvanized metal body with all exposed areas grade 430 stainless steel. Approved for installation into covered outdoor kitchen areas.
- Thermostat (600, 900, 1200 CFM models only)**  
 Thermostat detects when the heat level rises to an excessive amount and automatically turns the hood on.
- Blower Wheel**  
 3 speed motor with electronically balanced polymetric centrifugal blower wheel. Rated 120 volts, 60 hz.
- Lighting**  
 2 - PAR16 type A screw-in base, 45 watt maximum Halogen lamps (included).
- Ducting Options**  
 Vertical outlet only. Vertical or Horizontal ducting transition achieved through vertical (included) or horizontal (optional) outlet adapter specified for size of motor.
- Filters**  
 Grease Baffles: Dishwasher safe, Stainless Steel baffles (included).
- Available Finishes**  
 Brushed Stainless Steel - #4 finish
- Opening Size**  
 LIN40m: 40<sup>3</sup>/<sub>8</sub>" x 19<sup>1</sup>/<sub>4</sub>" (Fits cabinets 42" wide)  
 LIN40md: 40<sup>3</sup>/<sub>8</sub>" x 22<sup>1</sup>/<sub>2</sub>" (Fits cabinets 42" wide)



NOTE: 1/2" wide trim flange around the entire perimeter of the face plate

EXPANDED PERFORMANCE										
Air Flow - CFM	Static Pressure (inches of w.g.)						Sones @ .1 SP	Fan Speed RPM	Blower Watts	Full Load Amps
	0	0.1	0.15	0.25	0.3	0.375				
<b>300 CFM Blower</b>	315	300	292	271	259	238	4.5	1490	90	2.0
<b>400 CFM Blower</b>	425	400	387	358	340	308	8.0	1711	214	3.6
<b>600 CFM Blower</b>	638	600	581	537	510	458	5.5	1492	164	1.8
<b>900 CFM Blower</b>	918	900	892	874	865	852	11.0	2051	604	5.7
<b>1200 CFM Blower</b>	1222	1200	1189	1168	1158	1142	15.0	2617	945	7.2

PROJECT							ARCHITECT				
LOCATION							ENGINEER				
CONTRACTOR							SUBMITTED BY			DATE	
FAN NUMBER	MODEL NUMBER	CFM	IN W.C.	RPM	WATTS	AMPS	SONES	QTY	OPTIONAL EQUIPMENT & REMARKS		



**Air King:** 820 Lincoln Avenue  
 West Chester, Pennsylvania 19380-4466  
 Tel: (610) 692-7400 • 877-304-3785  
 Fax: (610) 696-8048

**Canada:**  
 Brampton, Ontario  
 Tel: 905-456-2033  
 Fax: (905) 456-1015