



# QUFRESH™



## SPECIFICATIONS

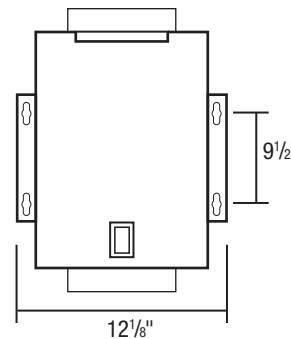
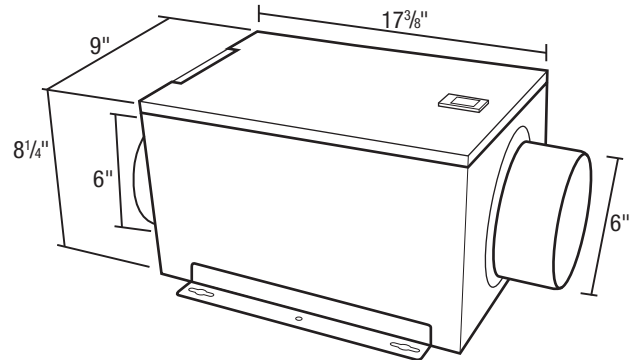
# MFAS

### FRESH AIR SUPPLY FAN



**80 CFM @ 0.20" SP.**  
**50 CFM @ 0.20" SP.**

- Blower Wheel**  
 Balanced polymeric dual inlet blower wheel secured in place using a hex nut.
- Motor**  
 Dual Speed, Heavy duty, permanently split capacitor, plug-in, life time lubrication, thermally protected, suitable for continuous operation. Rated 120 volts, 60 hz.
- Fan Housing**  
 Insulated 26 gauge galvanized steel housing. Overall dimensions: 17<sup>3</sup>/<sub>8</sub>"H x 8<sup>1</sup>/<sub>4</sub>"D x 9"W.
- Duct Collars**  
 6" round, zinc plated metal collar adapters.
- Electrical Connections**  
 1/2" electrical access. Easy wiring access via external wiring compartment cover or internal access plate.
- Unit Mounting**  
 Designed to surface mount to a wall or ceiling with the included mounting brackets. Can be mounted onto joists, studs or the housing mounting brackets can be adapted for overhead mounting (hardware not provided).
- Optional Air Filter**  
 An optional nominal 8" x 9" x 2" Merv 8 or Merv 13 air filter can be added to the unit (not included).
- Test Port**  
 Allows easy air flow measurement with Pitot tube or similar device.



### EXPANDED PERFORMANCE

	Static Pressure (inches of w.g.)							Fan Speed RPM	Maximum Fan Watts	Amps
	0	0.1	0.2	0.3	0.4	0.5	0.6			
<b>Air Flow - CFM (High Speed)</b>	90	85	80	75	69	62	54	1968	82.9	0.8
<b>Air Flow - CFM (Low Speed)</b>	55	53	50	47	43	38	31	1560	42.9	

<b>PROJECT</b>				<b>ARCHITECT</b>					
<b>LOCATION</b>				<b>ENGINEER</b>					
<b>CONTRACTOR</b>				<b>SUBMITTED BY</b>				<b>DATE</b>	
FAN NUMBER	MODEL NUMBER	CFM	IN W.G.	RPM	WATTS	AMPS	SONES	QTY	OPTIONAL EQUIPMENT & REMARKS



820 Lincoln Avenue • West Chester, Pennsylvania 19380-4466